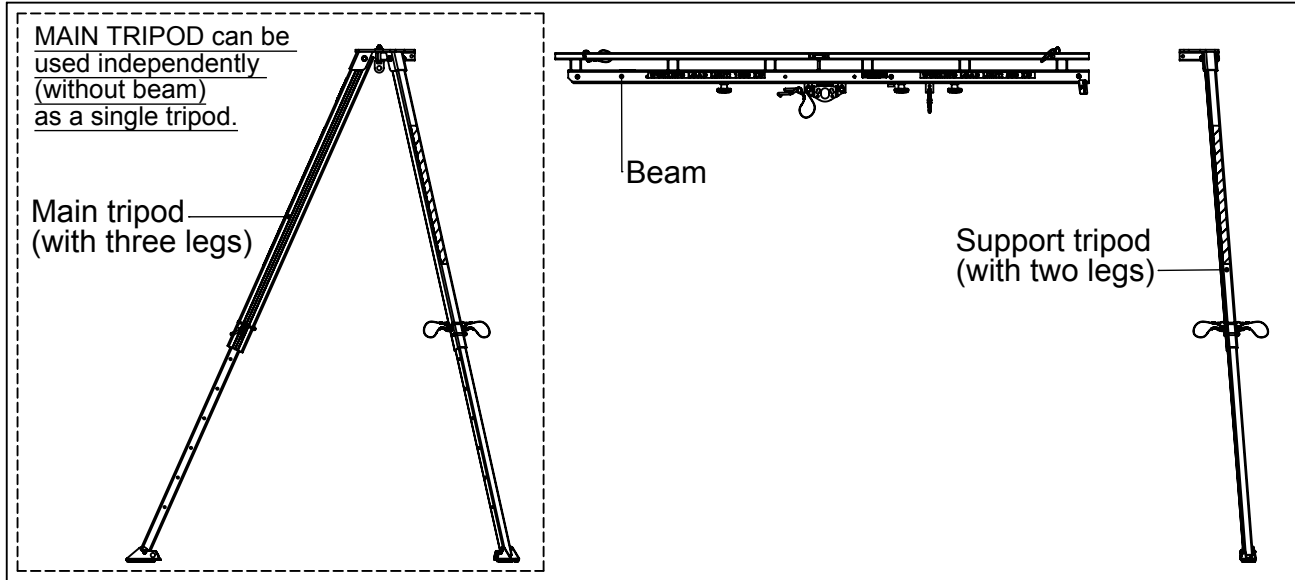


SECTION 1 - GENERAL DATA

GENERAL DESCRIPTION

TM 12 safety spider is a component of personal protective equipment against fall from height. Spider is used to protect employees (using Trolley B, Main Tripod Central Anchor Point or Beam Anchor Point) working in drainage wells, reservoirs, wells, silos etc. during lifting loads (using Trolley A and Reinforced Leg Attachment Point and Main Tripod Lateral Attachment Point). For personal protection device must be used in conjunction with fall arrest equipment. Spider TM 12 is designed to use with RUP 502-AT, RUP 503-T brake winches and RUP 502-A, RUP 503, CRW 300 rescue lifting devices.

TM 12 "SPIDER" FULL SET

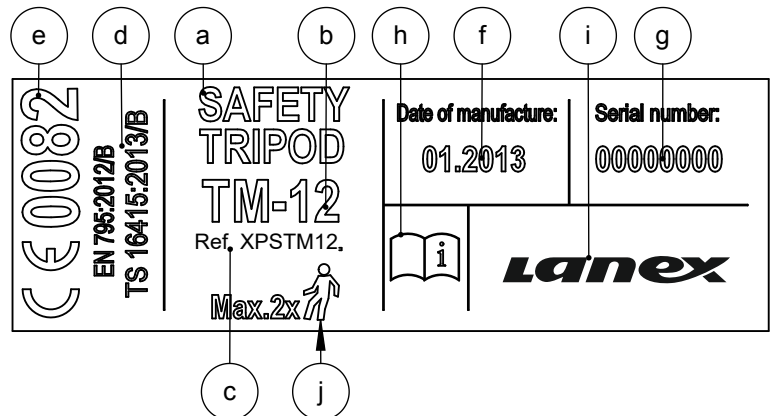


CERTIFICATION AND COMPLIANCE WITH STANDARDS

- a) EN 795:2012 type B
Equipment use as a transportable temporary anchor point for one person. EC certificate.
- b) TS 16415:2013 type B
Equipment use as a transportable temporary anchor point for two people.
Compliance with standard and document TS 16415/B:2013. Not covered by the EC certificate.
- c) EN 1496:2006 type B
Equipment use with RUP 502-A / RUP 503 / CRW 300 as an rescue kit for maximum two people.
Compliance with standard and document EN 1496/B:2006. Not covered by the EC certificate.

CONTENT OF THE IDENTITY LABEL

- a) Device type.
- b) Model symbol.
- c) Reference number.
- d) Number/year/class of the European standard.
- e) CE marking and number of a notified body controlling manufacturing of the equipment.
- f) Month and year of manufacture.
- g) Serial number of the tripod.
- h) Caution: read the manual.
- i) Marking of the manufacturer or distributor of the tripod.
- j) Maximum number of users permitted simultaneously.



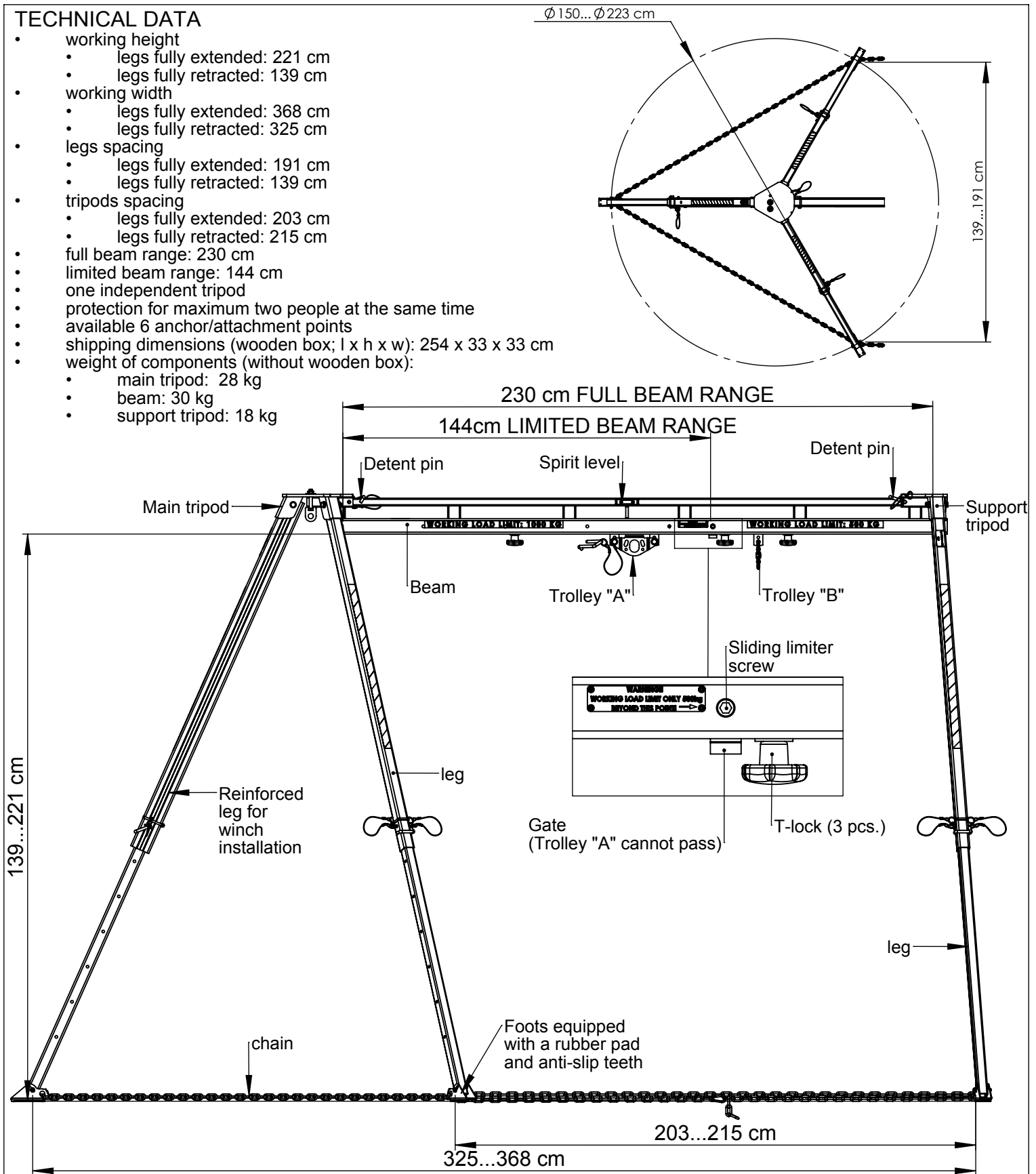
Month and year of the manufacturer's next inspection.
Don't use the device after this date.
Attention: Before the first use mark the date of inspection (date of first use + 12 months, e.g. first use 01.2013 - mark inspection 01.2014).
"Next inspection label" placed near Identity Label.

TABLE OF CONTENT

• SECTION 1 - GENERAL DATA.....	01
• General description.....	01
• Certification and compliance with standards.....	01
• Content of identity label.....	01
• Technical data.....	03
• Basic equipment.....	03
• SECTION 2 - DEVICE INSTALLATION.....	04
• Beam parts installation procedure.....	04
• Installing main tripod.....	05
• Installing TM 12 spider full set.....	06
• Leveling spider beam.....	07
• Locking trolleys position with t-locks.....	07
• Maximum device loading.....	07
• SECTION 3 - PERSONAL PROTECTION ACCORDING TO EN 795/B AND TS 16415/B.....	08
• Description.....	08
• Anchor points description.....	08
• Rules for personal protection.....	09
• General precautions.....	09
• The essential principles of use of personal protective equipment.....	09
• Inspection.....	10
• Periodic inspection.....	10
• Admissible time of use.....	10
• Withdrawal from use.....	10
• Withdrawn from use after arresting a fall.....	10
• Transportation.....	10
• Maintenance and storage.....	10
• SECTION 4 - LIFTING LOADS.....	11
• Description.....	11
• Attachment points description.....	11
• Usage TM 12 spider full set for lifting loads.....	12
• Installing RUP 502-AT / RUP 503-T brake winches to the TM 12 spider full set.....	13
• Usage TM 12 main tripod for lifting loads.....	14
• Installing RUP 502-AT / RUP 503-T brake winch to the TM 12 main tripod.....	15
• SECTION 5 - RESCUE ACCORDING TO EN 1496/B.....	16
• Rules for rescue.....	16
• General precautions for rescue.....	16
• Usage TM 12 spider full set for rescue purposes.....	17
• Installing RUP 502-A / RUP 503 rescue lifting devices to the TM 12 spider full set.....	18
• Installing CRW 300 rescue lifting device to the TM 12 spider full set.....	19
• Usage TM 12 main tripod for rescue purposes.....	20
• Installing RUP 502-A / RUP 503 rescue lifting devices to the TM 12 main tripod.....	21
• Installing CRW 300 rescue lifting device to the TM 12 main tripod.....	22
• SECTION 6 - USAGE SCENARIOS.....	23
• IDENTITY CARD.....	24

TECHNICAL DATA

- working height
 - legs fully extended: 221 cm
 - legs fully retracted: 139 cm
- working width
 - legs fully extended: 368 cm
 - legs fully retracted: 325 cm
- legs spacing
 - legs fully extended: 191 cm
 - legs fully retracted: 139 cm
- tripods spacing
 - legs fully extended: 203 cm
 - legs fully retracted: 215 cm
- full beam range: 230 cm
- limited beam range: 144 cm
- one independent tripod
- protection for maximum two people at the same time
- available 6 anchor/attachment points
- shipping dimensions (wooden box; l x h x w): 254 x 33 x 33 cm
- weight of components (without wooden box):
 - main tripod: 28 kg
 - beam: 30 kg
 - support tripod: 18 kg



BASIC EQUIPMENT

- main tripod and support tripod heads
made of zinc-plated painted steel. Main tripod head is equipped with stainless-steel eye-bolt for rope pulley attachment. Both heads are equipped with locking pins for beam attachment.
- beam
made of zinc-plated painted steel profile. Spider beam is equipped with two trolleys ("A" and "B") and beam attachment point. For locking trolleys' position T-lock's are used.
- legs
made of aluminium alloy profiles with round edges. They consist two sections. The telescopic construction of the legs allows the user to adjust their length. To adjust the legs length locking pins are used. The legs of the spider are equipped with self-aligning steel feet with rubber pads. The feet have anti-slip "teeth" used when positioning the spider on a slippery (e.g. icy) surface.
- chain
leg chain is supplied to minimize horizontal forces and prevent the legs spreading and collapsing.

SECTION 2 - DEVICE INSTALLATION

IT IS RECOMMENDED THAT THE DEVICE SHOULD BE TRANSPORTED AND INSTALLED BY MINIMUM TWO PEOPLE!

TM 12 - BEAM PARTS INSTALLATION PROCEDURE

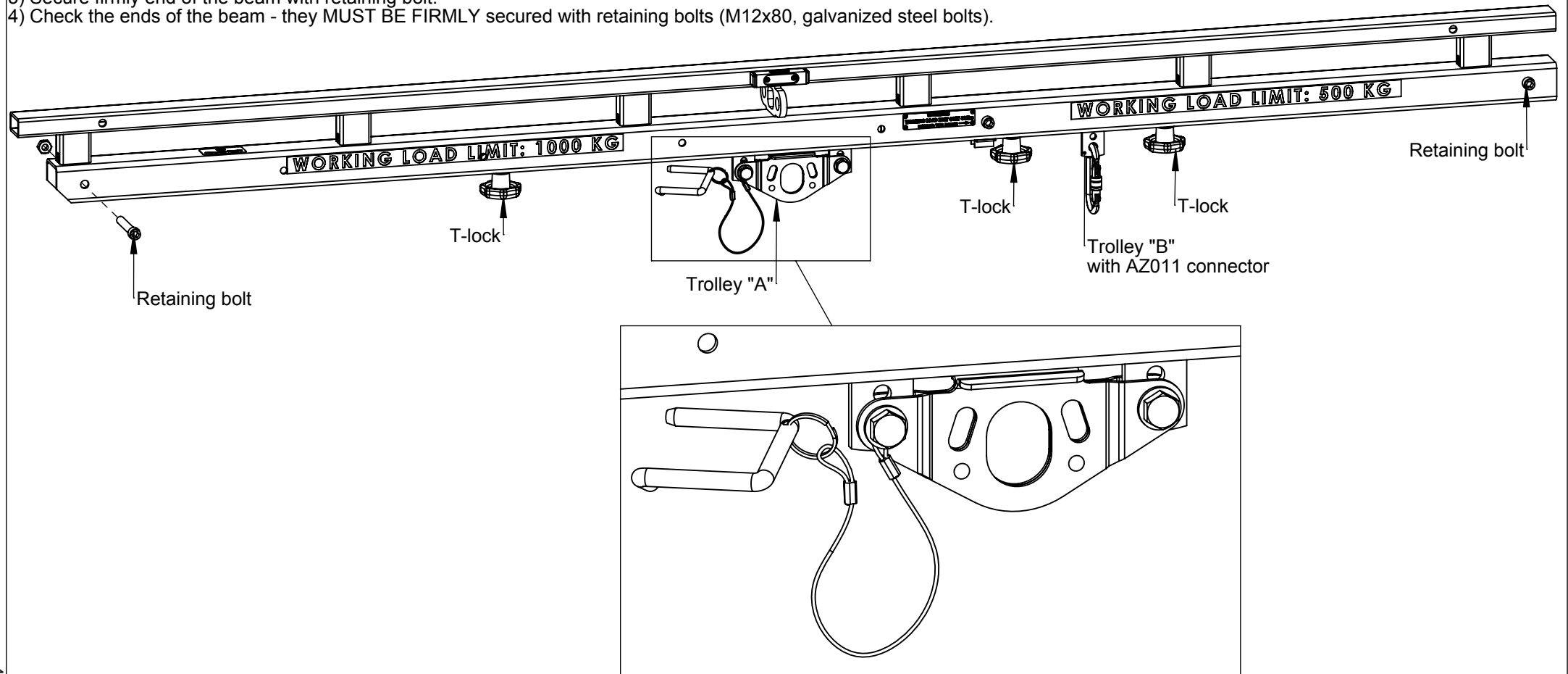
During transportation all components (trolley's and t-lock's) mounted on the beam, are transported separately in the box. Proper installation of all components shown in the figure below.

LIST OF COMPONENTS:

- a) Trolley "A" - 1 pc
- b) Trolley "B" with AZ011 connector - 1 pc
- c) T-lock - 3 pcs.
- d) Retaining bolts + nuts - 2 pcs.

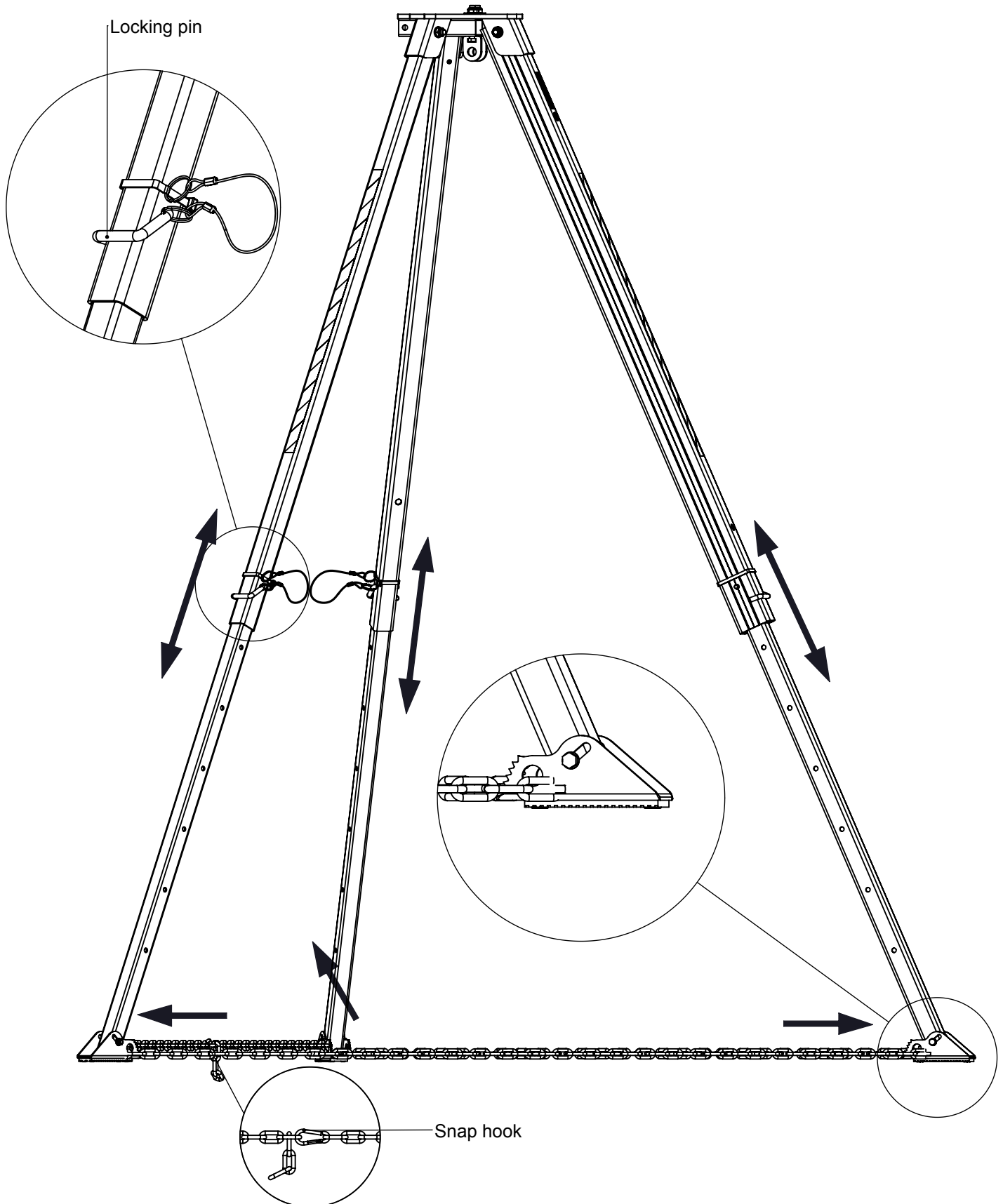
INSTRUCTION:

- 1) Remove retaining bolt at the end of the beam.
- 2) Install all of the items from "List of components".
- 3) Pay attention to the correct installation of Trolley "A".
- 3) Secure firmly end of the beam with retaining bolt.
- 4) Check the ends of the beam - they **MUST BE FIRMLY** secured with retaining bolts (M12x80, galvanized steel bolts).



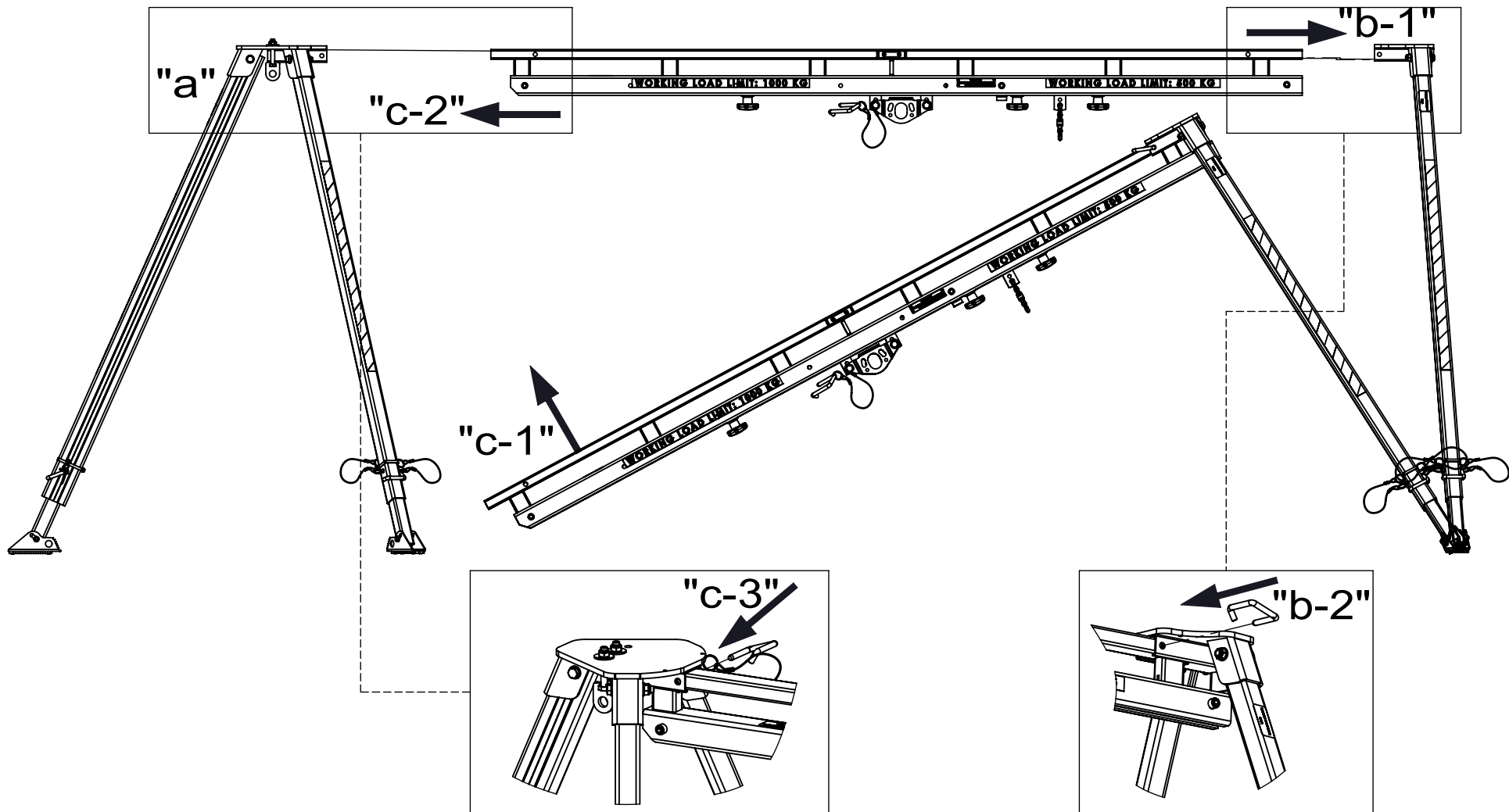
INSTALLING MAIN TRIPOD

1. Place the main tripod in a upright position on a flat, stable and hard surface.
2. Make sure the feet are on firm ground and can support the load.
3. Pull out the tripod legs to the desired length and lock with the locking pin.
4. Make sure the locking pins are properly secured. The end of the locking pin must protrude above the surface of the tripod legs.
5. Adjust the length of the legs so that the head is located in the horizontal plane.
6. The main tripod should be positioned over opening so working line will be located approximately in the center of the opening.
7. Secure the tripod legs with the chain against the accidental sliding open. The ends of the chain must be fastened with a snap hook. The chain should be tight between the legs of the tripods. Remove excess slack of the chain.



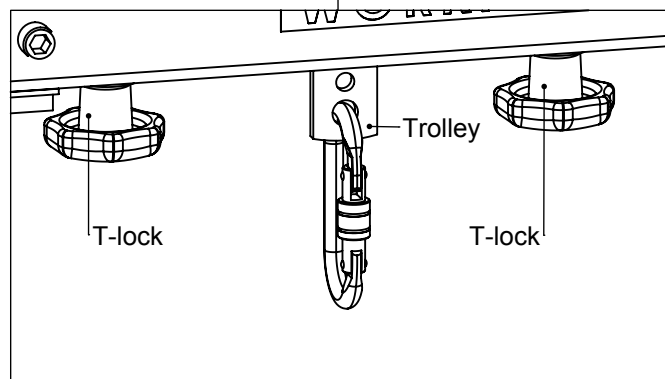
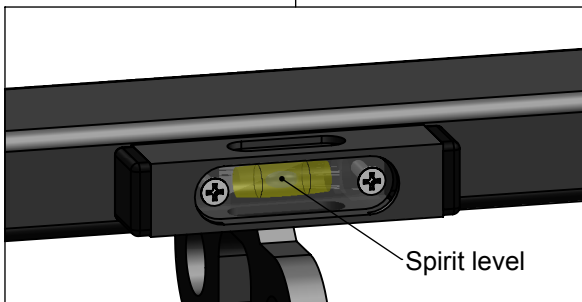
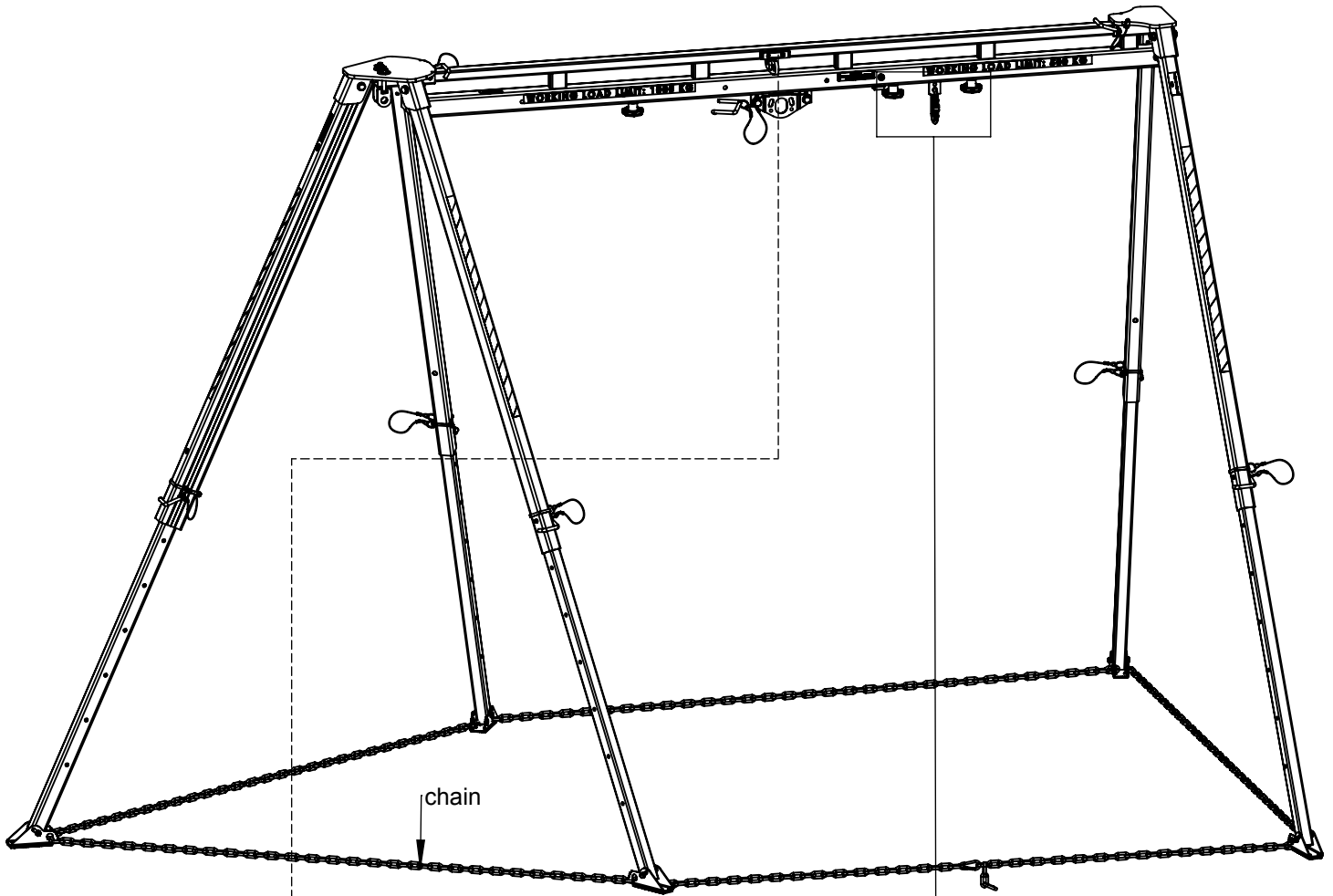
INSTALLING TM 12 SPIDER FULL SET

1. Set the main tripod according to "installing main tripod" instructions without chain. Legs should be pulled out and lock with the locking pin in the lowest possible position (step "a").
2. Place the support tripod on a flat, stable and hard surface. Place the end of the beam in the support tripod's clamping and lock with the locking pin (step "b-1" and "b-2").
3. Raise chamfered end of the beam and place in the main tripod's clamping and lock with the locking pin (step "c-1" and "c-2" and "c-3").
4. Make sure the feet are on firm ground and can support the load.
5. Firstly pull out the main tripod legs to the desired length and lock with the locking pin. Lastly pull out the support tripod legs to the same length as main tripod legs. Make sure the locking pins are properly secured. The end of the locking pin must protrude above the surface of the tripod legs.
6. The tripod should be positioned over opening so working line will be located approximately in the center of the opening.
7. Secure the tripod legs with the chain against the accidental sliding open. The ends of the chain must be fastened with a snap hook. The chain should be tight between the legs of the tripod. Remove excess slack of the chain.
8. Level the TM 12 spider according to "Leveling spider beam" instruction" - next page.



LEVELING SPIDER BEAM / LOCKING TROLLEYS POSITION WITH T-LOCKS

Always ensure that the beam is true and level using mounted spirit level before use. Improper leveling may result in self displacement the load being lifted along the beam which can cause injury to the operator.



For safety trolleys SHOULD BE always positioned. Always use T-locks to lock trolleys position during operation.

MAXIMUM LOAD TRANSMITTED FROM THE TM 12 TO THE STRUCTURE / LOADING DIRECTION

Surface, where the TM 12 spider was placed on must support the max. device load:

- a) during lifting loads (10 kN).
- b) during fall arresting for one person according to EN 795/B:2012 (6 kN)
- c) during fall arresting for two people according to TS 16415/B:2013 (13 kN)

Loading direction: perpendicular to the surface on which the TM 12 spider is placed.

SECTION 3 - PERSONAL PROTECTION ACCORDING TO EN 795/B AND TS 16415/B

DESCRIPTION

TM 12 spider full set and main tripod can be used as a temporary anchorage according to EN 795/B and TS 16415/B.

Spider TM 12 provides protection for maximum two people at the same time.

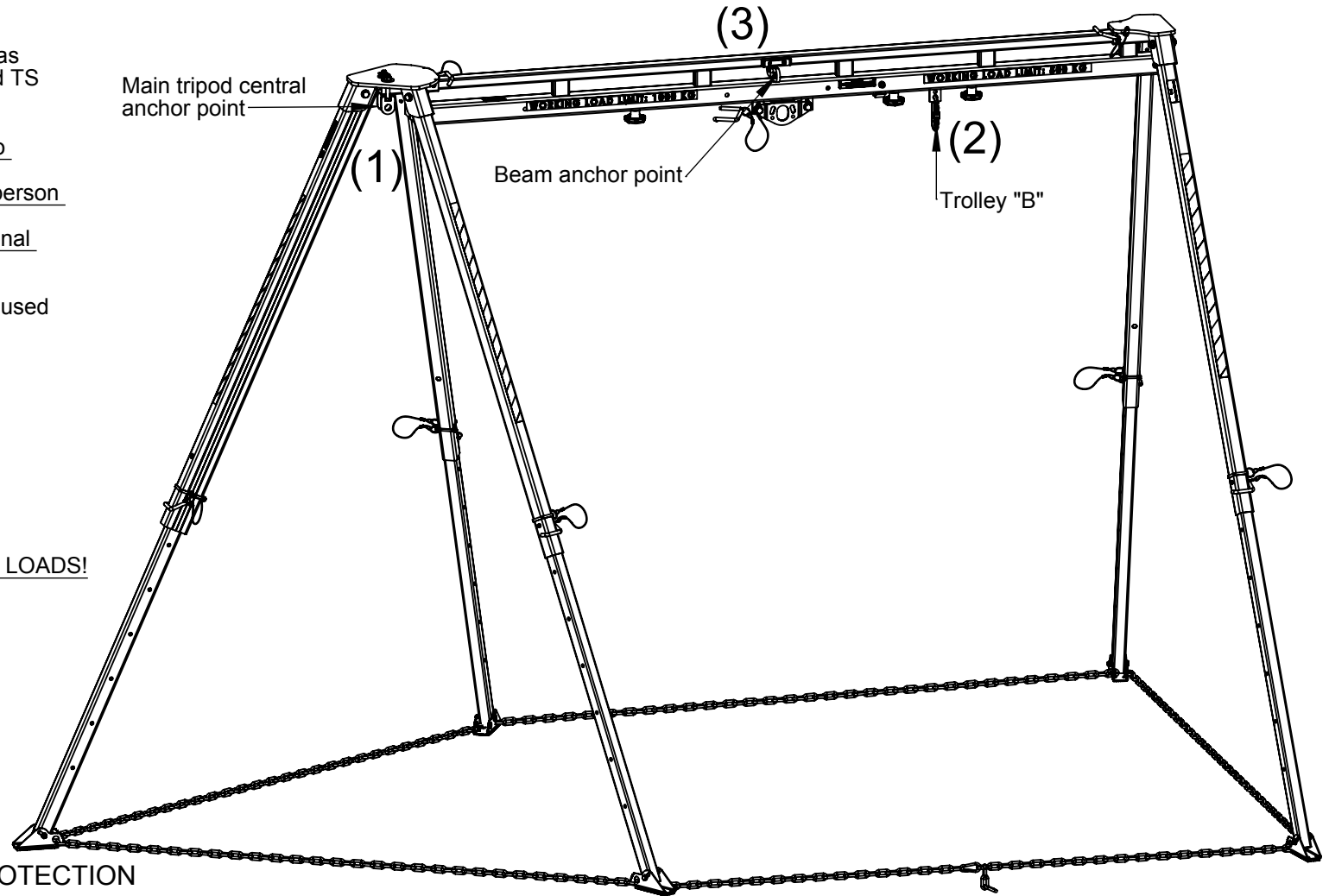
Each anchor point can be used by maximum one person at the same time.

Maximum two anchor points can be used for personal protection at the same time.

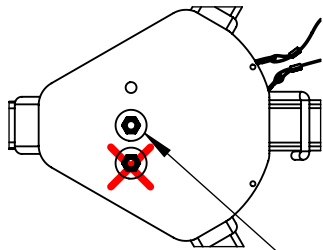
TM 12 spider is equipped with three anchor points used for personal protection:

- (1) main tripod central anchor point (1 pc)
- (2) trolley "B" (1 pc)
- (3) beam anchor point (1 pc)

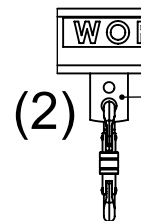
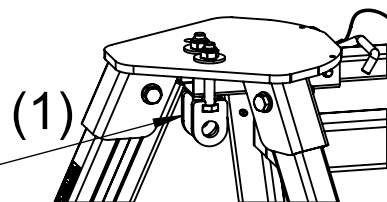
DO NOT USE ANCHOR POINTS FOR LIFTING LOADS!



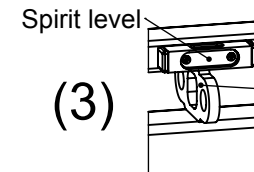
ANCHOR POINTS FOR PERSONAL PROTECTION



MAIN TRIPOD CENTRAL ANCHOR POINT (1 pc)
one person (EN 795/B)



TROLLEY "B" (1 pc)
one person (EN 795/B)



BEAM ANCHOR POINT (1 pc)
one person (EN 795/B)

RULES FOR PERSONAL PROTECTION:

1. Trolley "B" can be use on the full beam range.
2. ONE anchor point can be used by ONE person at the same time.
3. Maximum TWO people can be attached to the available anchor points at the same time.
4. Anchor points designed for personal protection should ONLY be used for personal fall protection equipment and NOT for lifting equipment.

GENERAL PRECAUTIONS

- While working PAY ATTENTION to the chain which fastens the tripod legs, as it can cause accidental tripping of the worker.
- Spider and main tripod MUST NEVER BE USED without chain. Legs MUST ALWAYS BE fastened with chain.
- AVOID working where the user may swing and hit an object or where lines may cross or tangle with that of another worker in the area.
- Fall arrest and rescue systems used with this device MUST MEET applicable EN standards requirements (EN 795 for anchor devices; EN 362 for connectors; EN 361 for full body harnesses; EN 360 for retractable type fall arresters; EN 1496 for rescue lifting devices; EN 1497 for rescue harnesses; EN 341 for descender devices).
- Always use T-locks's to maintain trolleys required position during operation.
- The Maximum Arrest Force (MAF) to which a user of a Fall Arrest System (FAS), who wears a full body harness, is exposed during an arrest of his/her fall is limited by law 6 kN in EU. The system used to protect user against fall from height must include fall protection equipment reducing the Maximum Arrest Force, acting on the user while arresting the fall, to maximum value of 6kN (e.g. fall safety energy absorber with lanyard or retractable fall arrester).
- Make sure that device is installed in a upright position on a flat, stable and hard surface. The surface must support the load.
- DO NOT use TM 12 safety device for more than two people at the same time.
- It is recommended that the device should be transported and installed by minimum two people.
- The anchor device or anchor point for the fall arrest system should always be positioned, and the work carried out in such a way, as to minimize both the potential for falls and potential fall distance. The anchor device/point should be placed above the position of the user. The shape and construction of the anchor device/point shall not allowed to self-acting disconnection of the equipment. Minimal static strength of the anchor device/point is 13 kN. It is recommended to use certified and marked structural anchor point complied with EN 795.

THE ESSENTIAL PRINCIPLES OF USE OF PERSONAL PROTECTIVE EQUIPMENT

- Personal Protective Equipment (PPE) shall only be used by a person trained and competent in its safe use.
- PPE must not be used by a person with medical condition that could affect the safety of the equipment user in normal and emergency use.
- A rescue plan shall be in place to deal with any emergencies that could arise during the work.
- It is forbidden to make any alterations or additions to the equipment without the manufacturer's prior written consent.
- Any repair shall only be carried out by equipment manufacturer or his certified representative.
- PPE shall not be used outside its limitations, or for any purpose other than that for which it is intended.
- PPE should be a personal issue item.
- Before use ensure about the compatibility of items equipment assembled into fall arrest system. Periodically check connecting and adjusting of the equipment components to avoid accidental loosening or disconnecting of the components.
- It is forbidden to use combinations of items of equipment in which the safe function of any one item is affected by or interferes with the safe function of another.
- It is essential for the safety of the user that if the product is re-sold outside the original country of destination the reseller shall provide instruction for use, for maintenance, for periodic examination and for repair in language of the country in which the product is to be sold.
- A full body harness (conforming EN 361) is the only acceptable body holding device that can be used in a fall arrest system.
- On full body harness use only attaching points marked with big letter "A" to attach a fall arrest system.
- It is obligatory to verify the free space required beneath the user at the workplace before each occasion of use the fall arrest system, so that, in the case of a fall, there will be no collision with the ground or other obstacle in the fall path. The required value of the free space should be taken from instruction manual of used equipment.
- There are many hazards that may affect the performance of the equipment and corresponding safety precautions that have to be observed during equipment utilization, especially:
 - trailing or looping of lanyards or lifelines over sharp edges,
 - any defects like cutting, abrasion, corrosion,
 - climatic exposure,
 - pendulum falls,
 - extremes of temperature,
 - chemical reagents,
 - electrical conductivity.

INSPECTION

Before each use of personal protective equipment it is obligatory to carry out a pre-use check of the equipment, to ensure that it is in a serviceable condition and operates correctly before it is used.

During pre-use check it is necessary to inspect all elements of the equipment in respect of any damages, excessive wear, corrosion, abrasion, cutting or incorrect acting, especially take into consideration:

- in full body harnesses and belts - buckles, adjusting elements, attaching points, webbings, seams, loops;
- in energy absorbers - attaching loops, webbing, seams, casing, connectors;
- in textile lanyards or lifelines or guidelines - rope, loops, thimbles, connectors, adjusting elements, splices;
- in steel lanyards or lifelines or guidelines - cable, wires, clips, ferrules, loops, thimbles, connectors, adjusting elements;
- in retractable fall arresters - cable or webbing, retractor and brake proper acting, casing, energy absorber, connector;
- in guided type fall arresters - body of the fall arrester, sliding function, locking gear acting, rivets and screws, connector, energy absorber;
- in connectors - main body, rivets, gate, locking gear acting;
- in tripods - legs, safety pins, eye bolts, feet, chain, connecting elements.

PERIODIC INSPECTION

After every 12 months of utilization, personal protective equipment must be withdrawn from use to carry out periodical detailed inspection. The periodic inspection must be carried out by a competent person for periodic inspection. The periodic inspection can be carried out also by the manufacturer or his authorized representative. In case of some types of the complex equipment e.g. some types of retractable fall arresters the annual inspection can be carried out only by the manufacturer or his authorized representative.

During this inspection will be established admissible time of the device use till next manufacturer's inspection.

The result of the inspection must be recorded in Identity Card.

Regular periodic inspections are the essential for equipment maintenance and the safety of the users which depends upon the continued efficiency and durability of the equipment.

During periodic inspection it is necessary to check the legibility of the equipment marking.

ADMISSIBLE TIME OF USE

The tripod can be used for 5 years counting from a date of putting the tripod into operation. After this period the tripod must be withdrawn from use to carry out manufacturer's detailed inspection.

The manufacturer's inspection can be carried out by:

- manufacturer
- person recommended by manufacturer
- company recommended by manufacturer.

During this inspection will be established admissible time of tripod use till next manufacturer's inspection and recorded in Identity Card.

WITHDRAWAL FROM USE

Personal protective equipment must be withdrawn from use immediately when any doubt arise about its condition for safe use and not used again until confirmed in writing by equipment manufacturer or his representative after carried out the detailed inspection.

WITHDRAWN FROM USE AFTER ARRESTING A FALL

Safety spider TM 12 must be withdrawn from use immediately when it have been used to arrest a fall. After that must be carried out detailed manufacturer's inspection of the tripod.

The manufacturer's inspection can be carried out by:

- manufacturer
- person recommended by manufacturer
- company recommended by manufacturer.

During this inspection will be established if the tripod can be longer used and will be define the admissible time of tripod use till next manufacturer's inspection and recorded in Identity Card.

TRANSPORTATION

Personal protective equipment must be transported in the package (e.g.: bag made of moisture-proof textile or foil bag or cases made of steel or plastic) to protect in against damage or moisture.

MAINTENANCE AND STORAGE

The equipment can be cleaned without causing adverse effect on the materials in the manufacture of the equipment. For textile products use mild detergents for delicate fabrics, wash by hand or in a machine and rinse in water. Plastic parts can be cleaned only with water. When the equipment becomes wet, either from being in use or when due cleaning, it shall be allowed to dry naturally, and shall be kept away from direct heat. In metallic products some mechanic parts (spring, pin, hinge, tec.) can be regularly slightly lubricated to ensure better operation. Other maintenance and cleaning procedures should be adhered to detailed instructions stated in the manual of the equipment.

Personal protective equipment should be stored loosely packed, in a well-ventilated place, protected from direct light, ultraviolet degradation, damp environment, sharp edges, extreme temperatures and corrosive or aggressive substances.

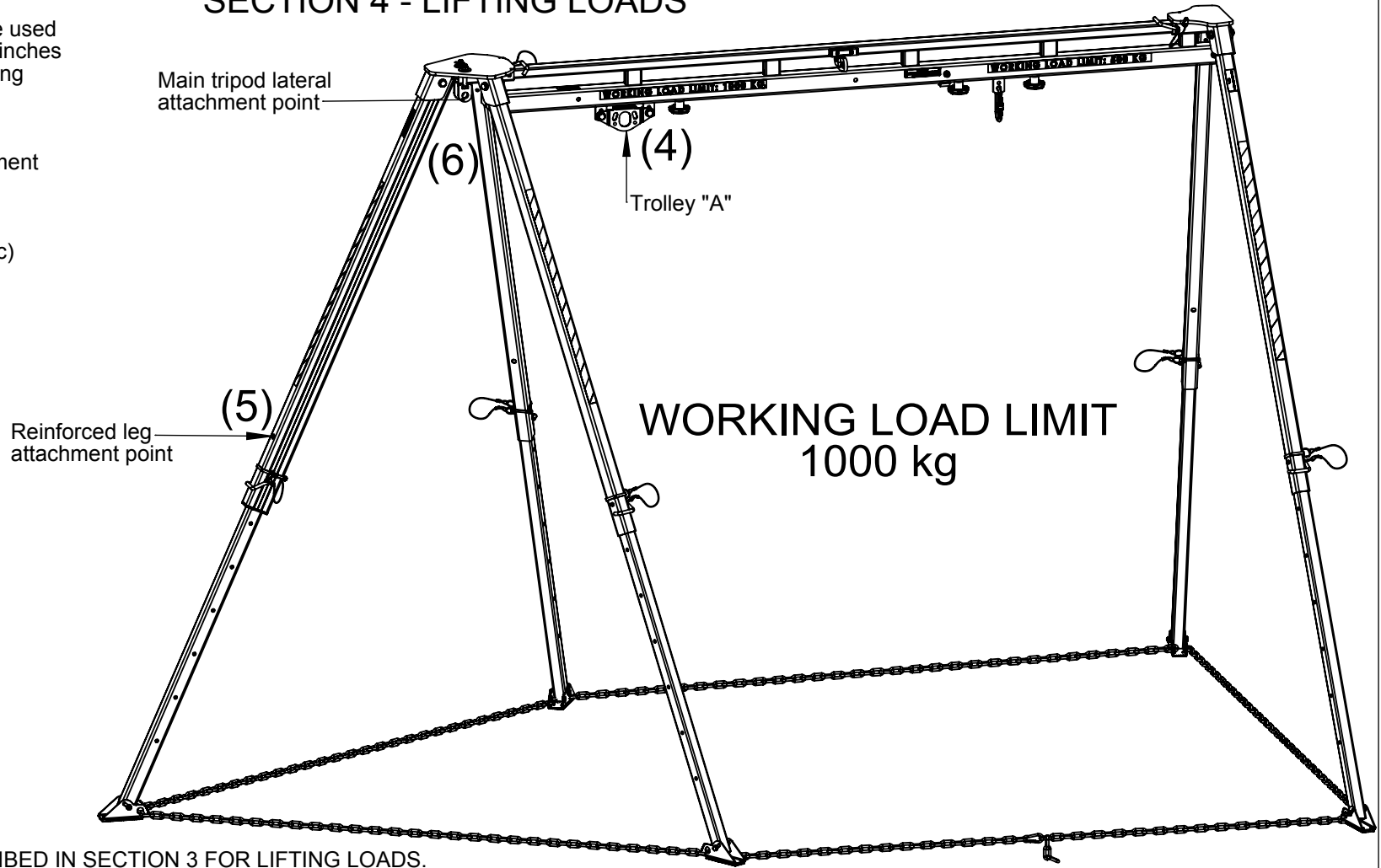
DESCRIPTION

TM 12 spider full set and main tripod can be used for lifting loads up to 1000 kg using brake winches (RUP 502-AT and RUP503-T) and other lifting equipment (e.g. chain hoists, etc).

TM 12 spider is equipped with three attachment points used for lifting load:

- (4) trolley "A" (1 pc)
- (5) reinforced leg attachment point (1 pc)
- (6) main tripod lateral attachment point (1 pc)

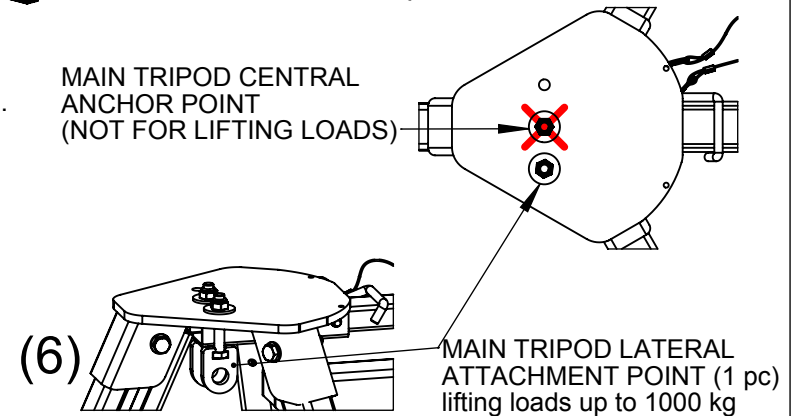
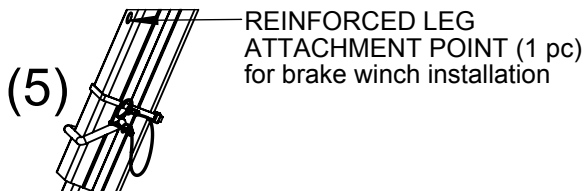
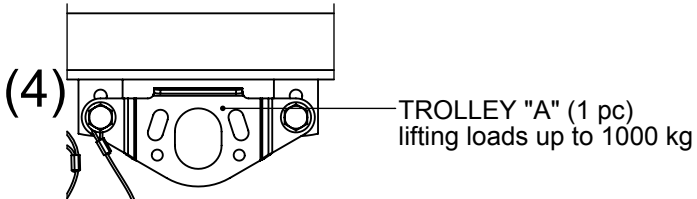
SECTION 4 - LIFTING LOADS



RULES FOR LIFTING LOADS:

1. DO NOT USE ANCHOR POINTS DESCRIBED IN SECTION 3 FOR LIFTING LOADS.
2. ONLY three attachment points (4) and (5) and (6) can be used for lifting loads.
3. Reinforced leg attachment point (5) is designed for RUP 502-AT or RUP 503-T brake winches installation.
4. Trolley "A" (for lifting loads up to 1000 kg) can be use ONLY on the LIMITED BEAM RANGE.
5. ALWAYS USE Trolley "A" detent pin for lock Trolley "A" position during lifting loads using RUP series brake winches.
6. ALWAYS USE sliding limiter screw when Trolley "A" is used for lifting loads.
7. For lifting loads always use lifting devices for loads or chain hoists.

ATTACHMENT POINTS FOR LIFTING LOADS

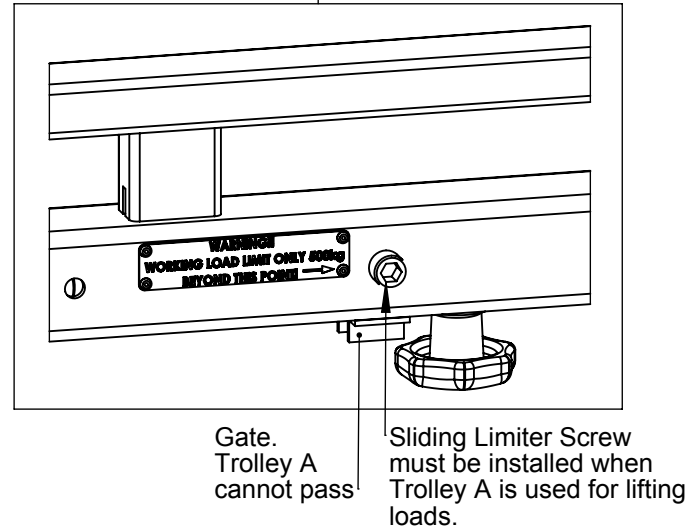
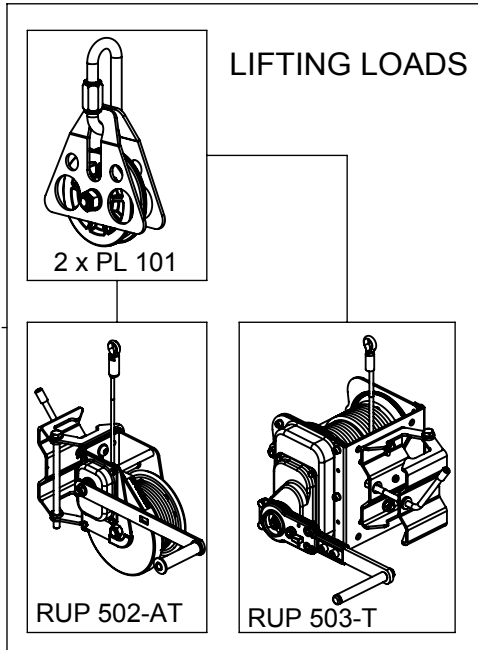
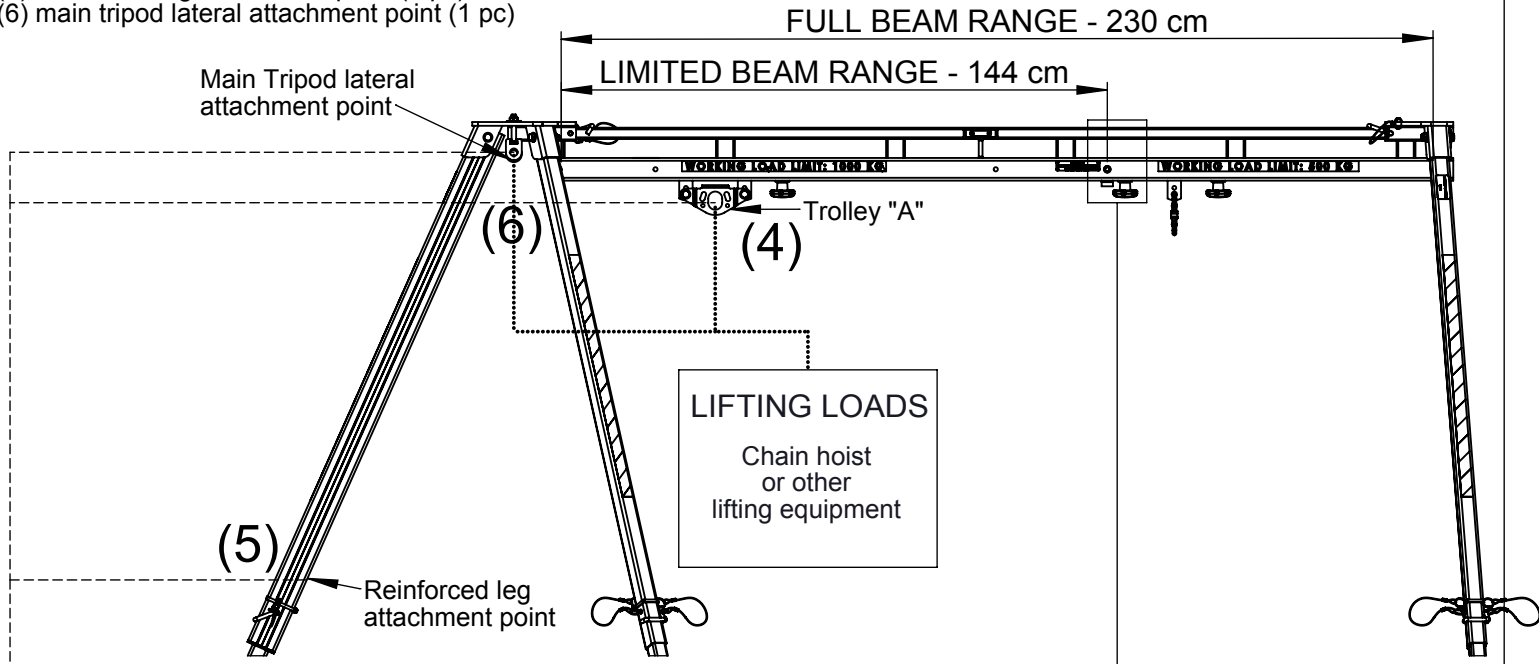


USAGE TM 12 SPIDER FULL SET FOR LIFTING LOADS

TM 12 spider full set can be used for lifting loads up to 1000 kg in conjunction with brake winches RUP 502-AT / RUP 503-T or chain hoists. Do not exceed the maximum loading capacity of lifting equipment. Maximum capacity should be indicated on their nameplate.

Attachment points used for lifting loads:

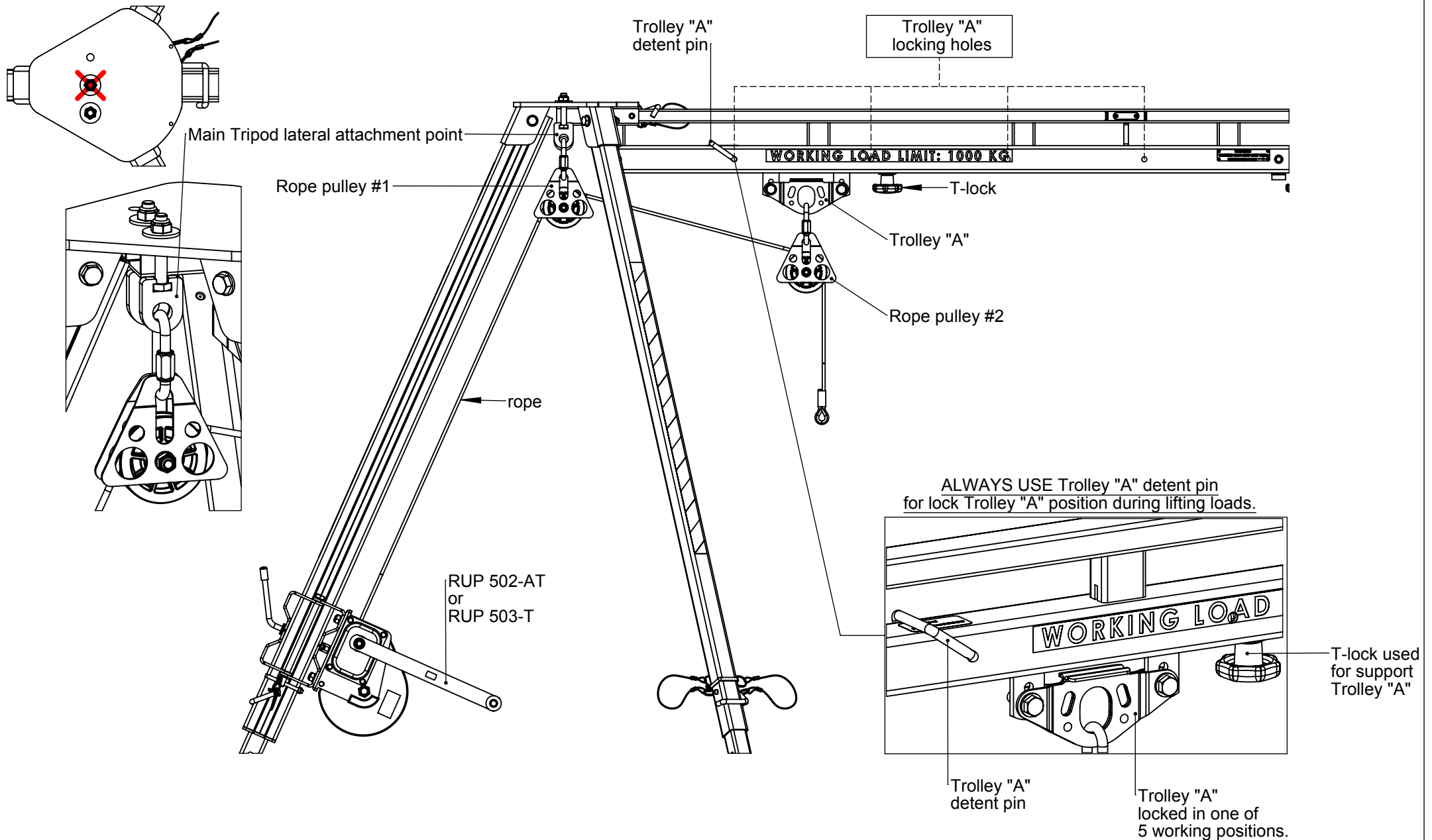
- (4) trolley "A" (1 pc)
- (5) reinforced leg attachment point (1 pc)
- (6) main tripod lateral attachment point (1 pc)



Set	TM 12 spider full set		
Equipment	+ chain hoist	+ 2 x PL 101 + RUP 502-AT	+ 2 x PL 101 + RUP 503-T
Attachment point(s) in use	(4) or (6)	(4) (5) (6)	(4) (5) (6)
Working Load Limit	1000 kg	500 kg	1000 kg
TOTAL LOADING CANNOT EXCEED 1000 kg			

INSTALLING RUP 502-AT / RUP 503-T BRAKE WINCH TO THE TM 12 SPIDER FULL SET

The TM 12 spider full set can be used with RUP 502-AT / RUP 503-T brake winches. RUP 502-AT / RUP 503-T should be installed on the main tripod reinforced leg. The grip of the brake winches should be fastened on the locking hole situated on the internal wall of the reinforced leg. Rope pulley #1 should be attached to the Main Tripod Lateral Attachment Point using connector. Rope pulley #2 should be attached to the Trolley "A" with connector. Working rope should pass through the pulley #1 and #2 wheels. Position of the Trolley "A" should be secured with Trolley "A" detent pin installed in one of 4 Trolley "A" locking hole and back of the Trolley "A" should be support by T-lock. For proper and safe installation and use of the RUP 502-AT / RUP 503-T please refer their instruction manuals.



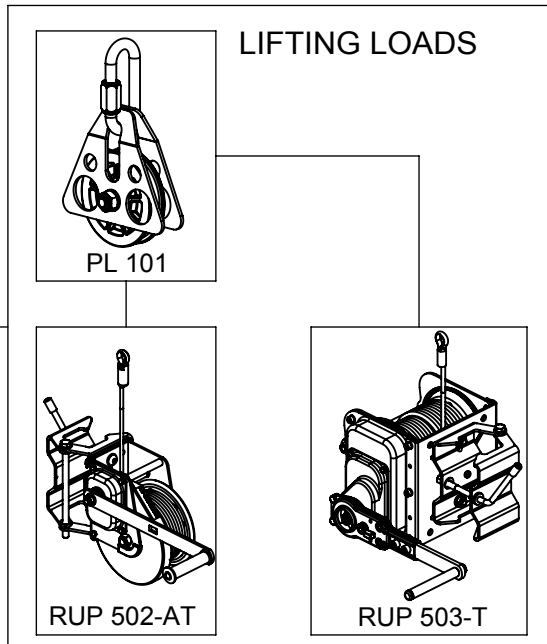
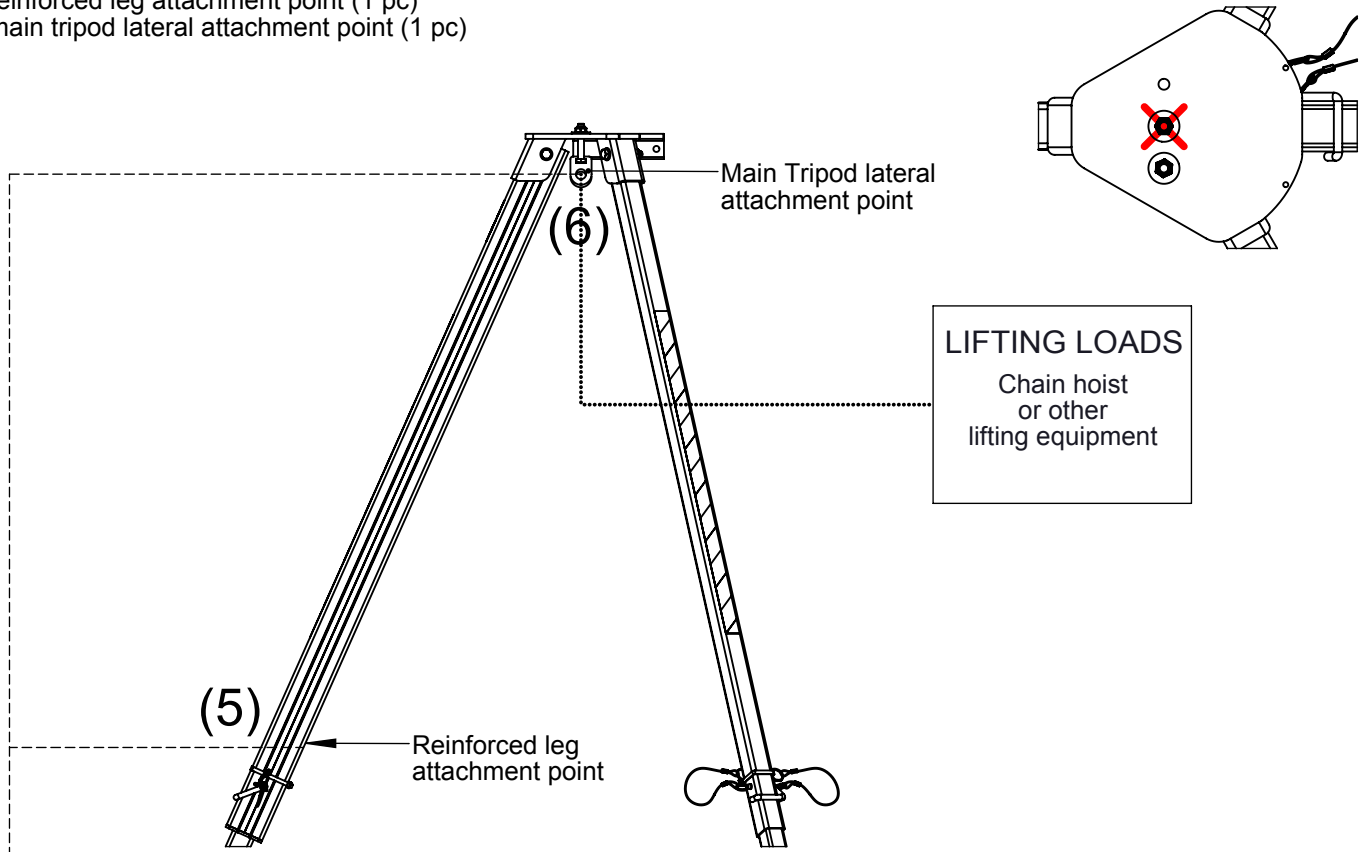
USAGE TM 12 MAIN TRIPOD FOR LIFTING LOADS

TM 12 main tripod can be used separately for lifting loads up to 1000 kg in conjunction with brake winches RUP 502-AT / RUP 503-T or chain hoists. Do not exceed the maximum loading capacity of lifting equipment. Maximum capacity should be indicated on their nameplate.

Attachment points used for lifting loads:

(5) reinforced leg attachment point (1 pc)

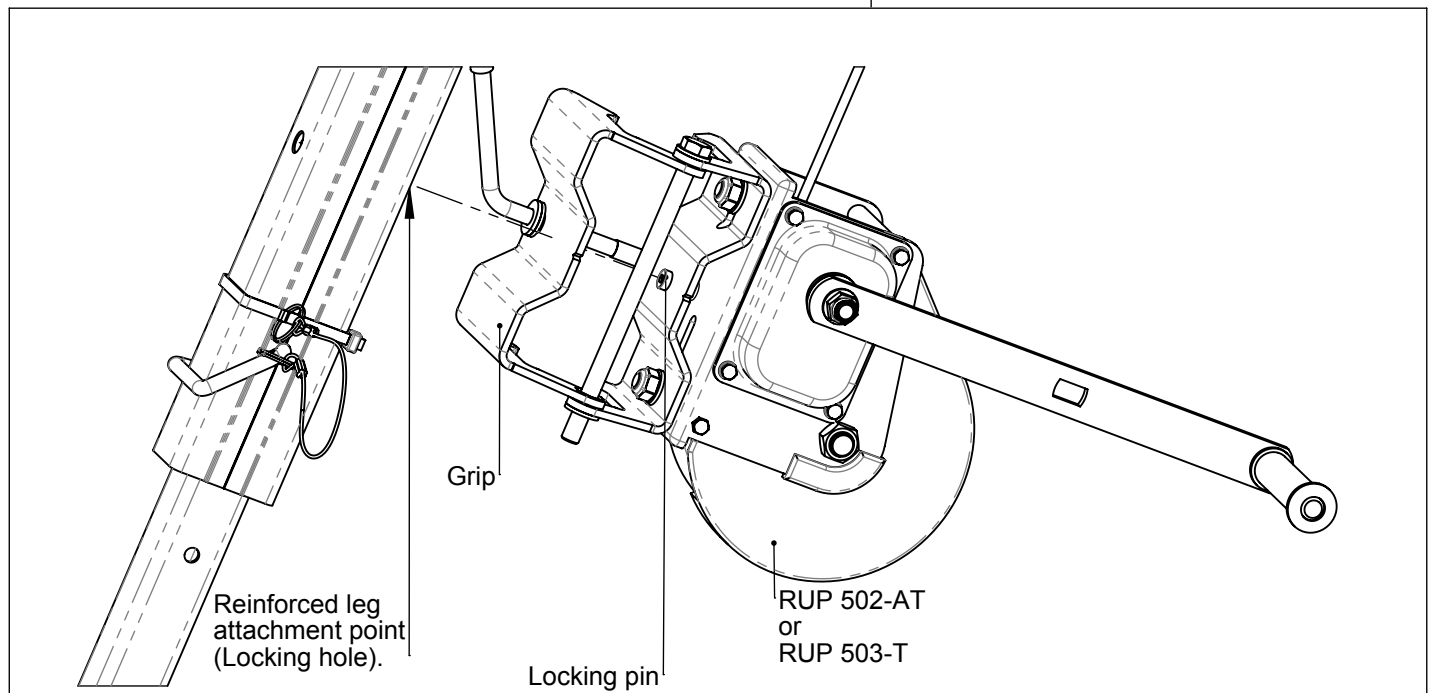
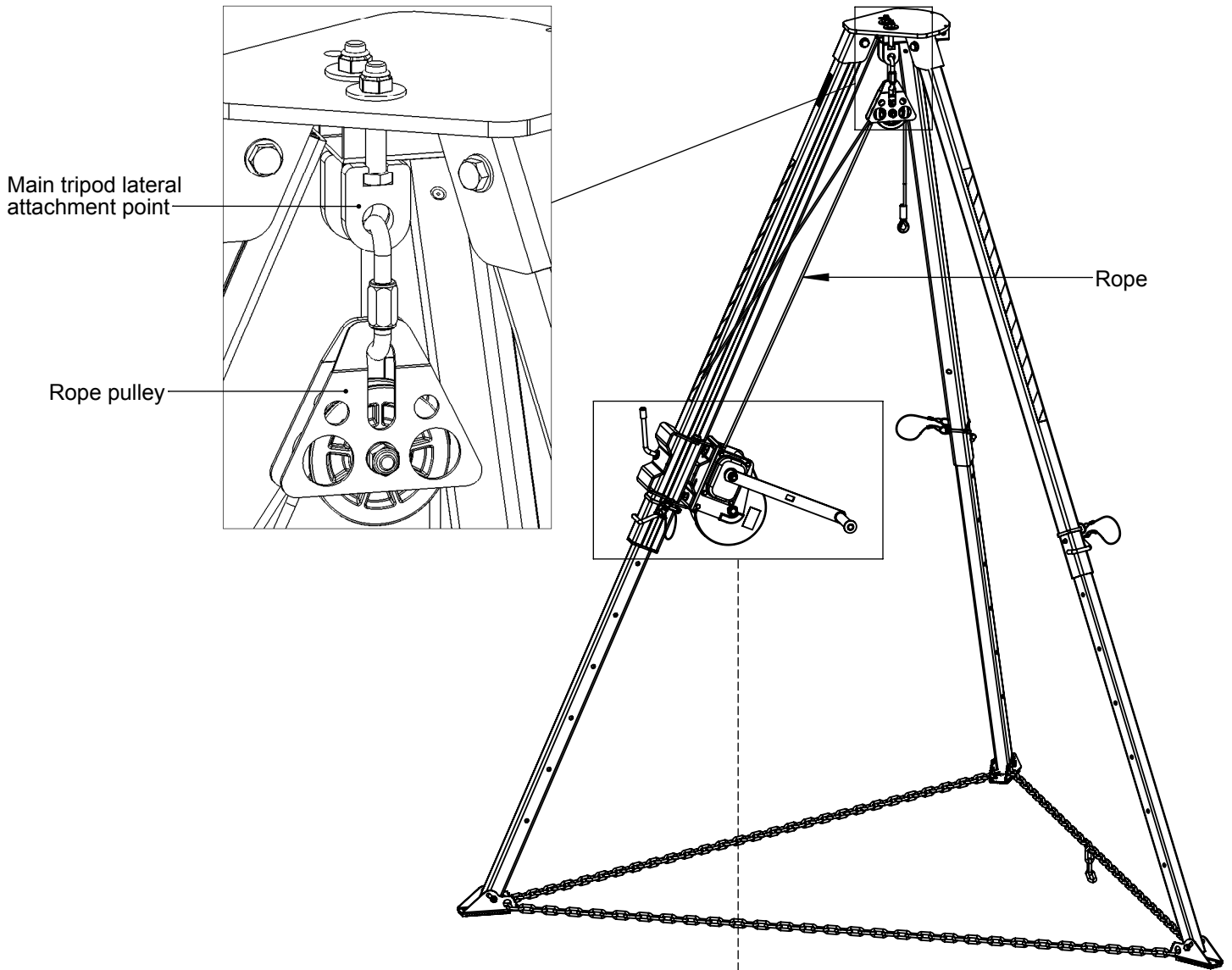
(6) main tripod lateral attachment point (1 pc)



Set	TM 12 Main Tripod		
Equipment	+ chain hoist	+ PL 101 + RUP 502-AT	+ PL 101 + RUP 503-T
Attachment point(s) in use	(6)	(5) (6)	(5) (6)
Working Load Limit	1000 kg	500 kg	1000 kg
TOTAL LOADING CANNOT EXCEED 1000 kg			

INSTALLING RUP 502-AT / RUP 503-T BRAKE WINCH TO THE TM 12 MAIN TRIPOD

The TM 12 main tripod can be used separately with RUP 502-AT / RUP 503-T brake winches. RUP 502-AT / RUP 503-T should be installed on the main tripod reinforced leg. The grip of the brake winch should be fastened on the locking hole situated on the internal wall of the reinforced leg. Rope pulley should be attached to the Main Tripod Lateral Attachment Point with connector. Working rope should pass through the pulleys wheel. For proper and safe installation and use of the RUP 502-AT / RUP 503-T please refer their instruction manuals.



SECTION 5 - RESCUE ACCORDING TO EN 1496/B

RULES FOR RESCUE:

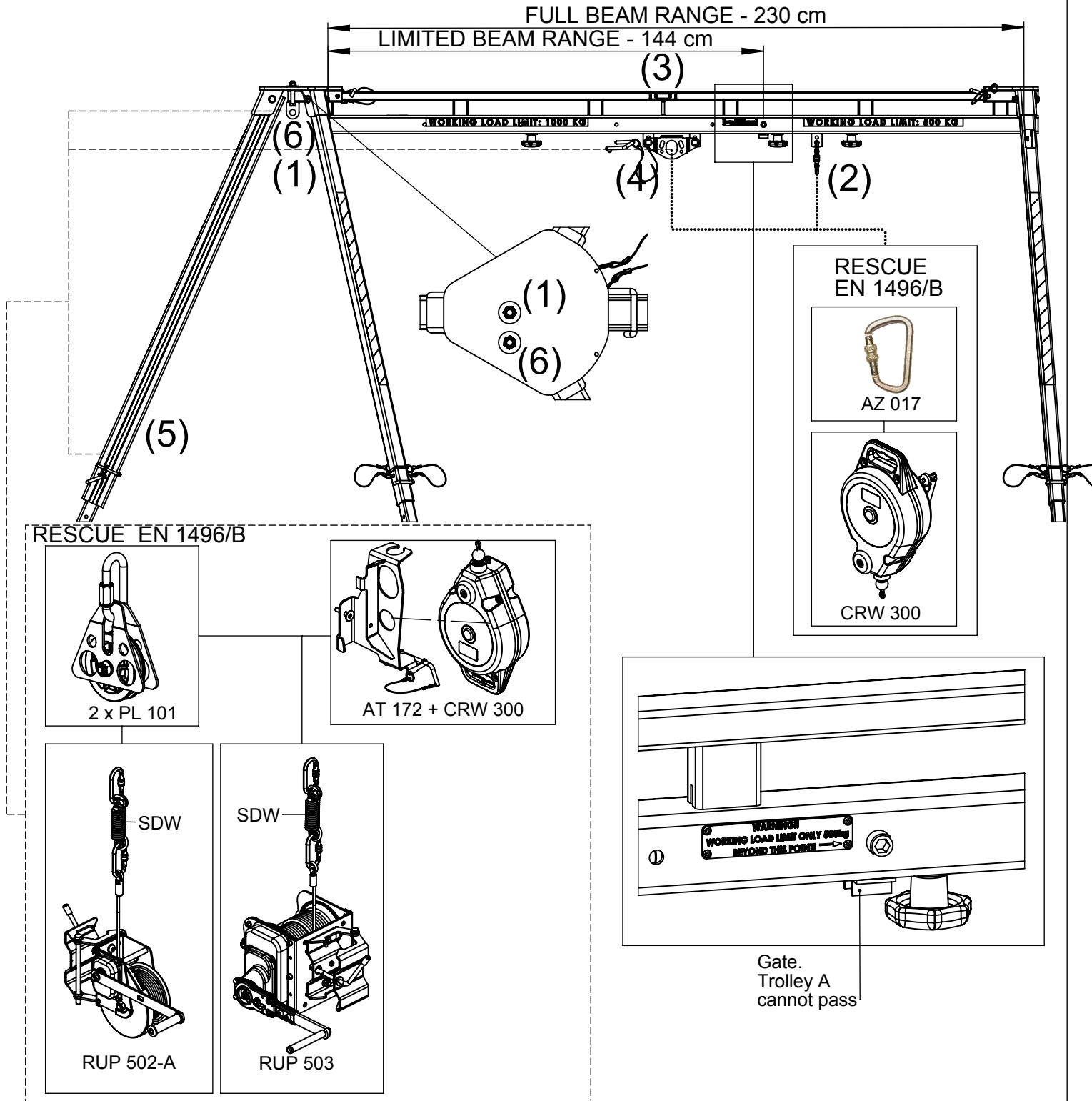
1. Trolley "A" can be use ONLY on the limited beam range.
2. Trolley "B" can be use on the full beam range.
3. One attachment point can be used ONLY by ONE person at the same time.
4. Maximum TWO people can be attached to the available attachment points at the same time.
5. ONLY ONE trolley can be used for rescue purposes at the same time.
6. ALWAYS USE Trolley "A" detent pin for lock Trolley "A" position during rescue using RUP series rescue lifting devices and CRW 300 device.

GENERAL PRECAUTIONS FOR RESCUE:

- Secondary fall arrest system (conforming EN 363) must be used when working with the TM 12 and RUP 502-A / RUP 503.
- Fall arrest and rescue systems used with this device MUST MEET applicable EN standards requirements (EN 795 for anchor devices; EN 362 for connectors; EN 361 for full body harnesses; EN 360 for retractable type fall arresters; EN 1496 for rescue lifting devices; EN 1497 for rescue harnesses; EN 341 for descender devices).
- For rescue purposes with RUP 502-A or RUP 503 rescue lifting devices always use SDW energy absorber (component of RUP 502-A and RUP 503 lifting devices).
- During installing rescue lifting devices RUP 502-A, RUP 503 or CRW 300 (with AT 172 fixing adapter) locking pin MUST BE embedded in locking hole. Only then rescue lifting device can be safely and firmly installed on the spider reinforced leg.

USAGE TM12 SPIDER FULL SET FOR RESCUE PURPOSES

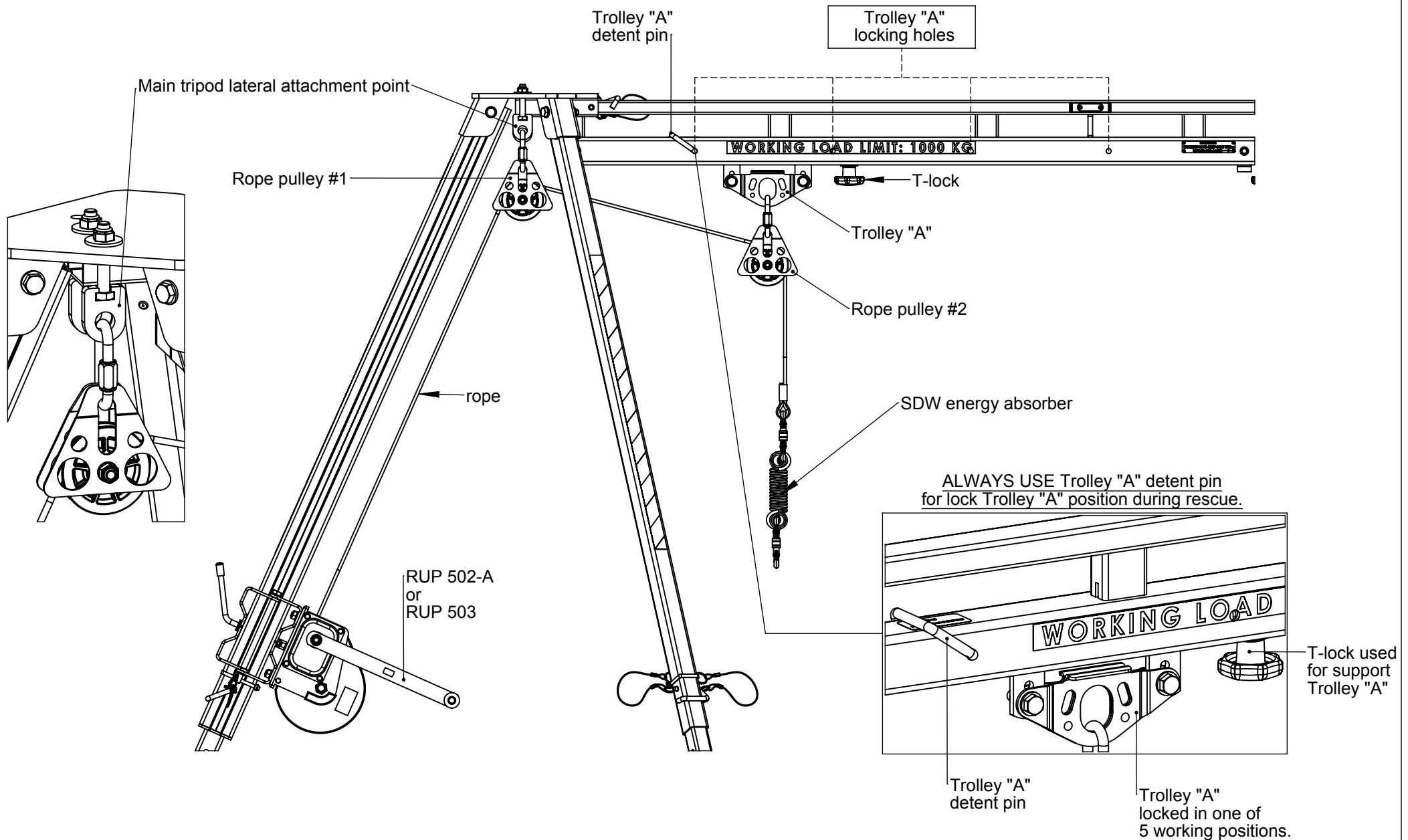
TM 12 spider full set can be used for rescue purposes in conjunction with RUP 502-A, RUP 503, CRW 300 rescue lifting devices.



Set	spider full set + 2 x PL 101 + RUP 502-A	spider full set + 2 x PL 101 + RUP 503	spider full set + 2 x PL 101 + AT 172 + CRW 300	spider full set + AZ017 + CRW 300
Standard	EN 1496/B			
Attachment point(s) in use	(4) (5) (6)	(4) (5) (6)	(4) (5) (6)	(2) or (4)
Max. number of users at the same time	1	2	1	1
Working Load Limit	140 kg	200 kg	140 kg	140 kg

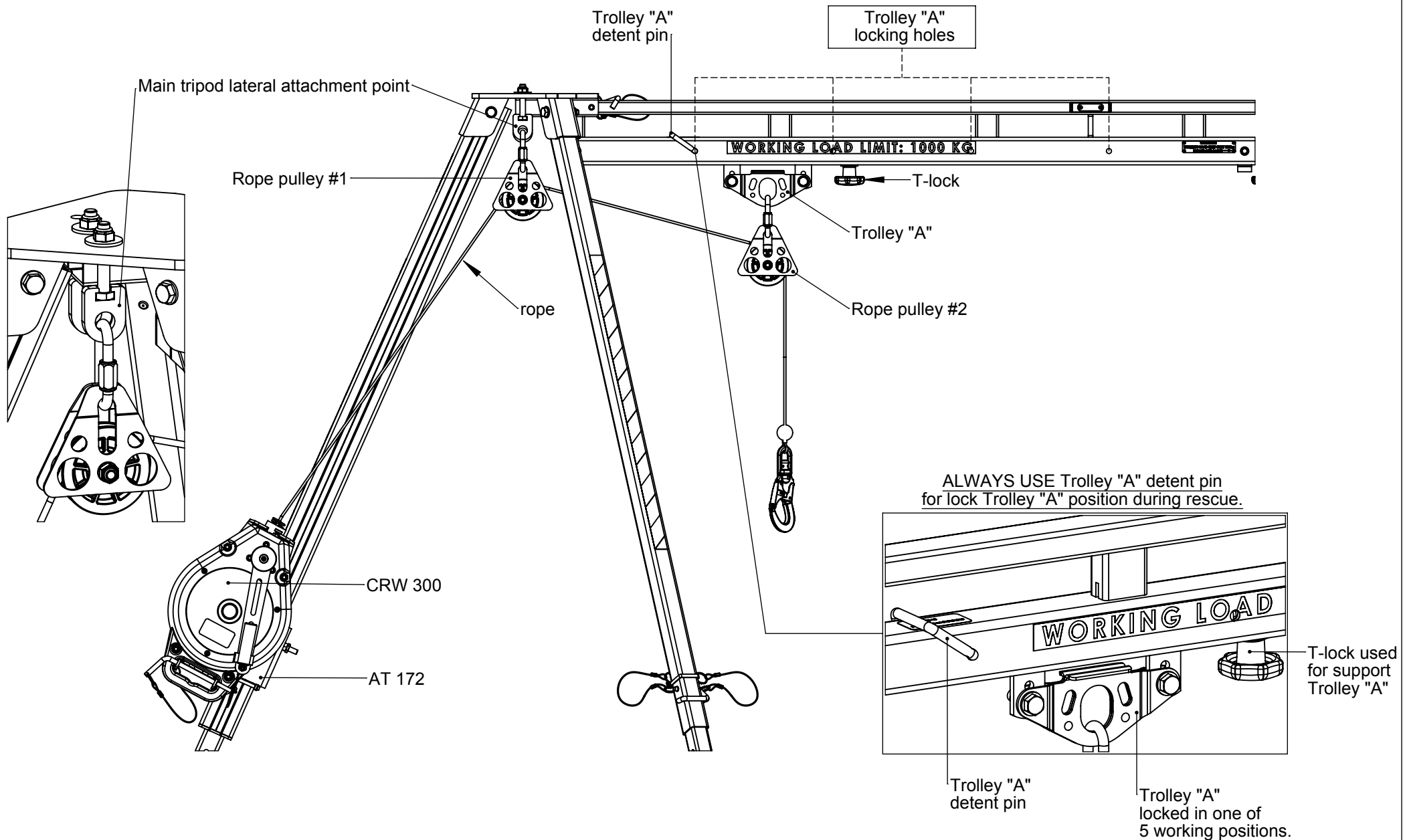
INSTALLING RUP 502-A / RUP 503 RESCUE LIFTING DEVICES TO THE TM 12 SPIDER FULL SET

The TM 12 spider full set can be used with RUP 502-A / RUP 503 rescue lifting devices. RUP 502-A / RUP 503 should be installed on the main tripod reinforced leg. The grip of the rescue lifting devices should be fastened on the locking hole situated on the internal wall of the reinforced leg. Rope pulley #1 should be attached to the Main Tripod Lateral Attachment Point using connector. Rope pulley #2 should be attached to the Trolley "A" with connector. Working rope should pass through the pulley #1 and #2 wheels. Position of the Trolley "A" should be secured with Trolley "A" detent pin installed in one of 4 Trolley "A" locking holes and back of the Trolley "A" should be support by T-lock. For proper and safe installation and use of the RUP 502-A / RUP 503 please refer their instruction manuals.



INSTALLING CRW 300 RESCUE LIFTING DEVICE TO THE TM 12 SPIDER FULL SET

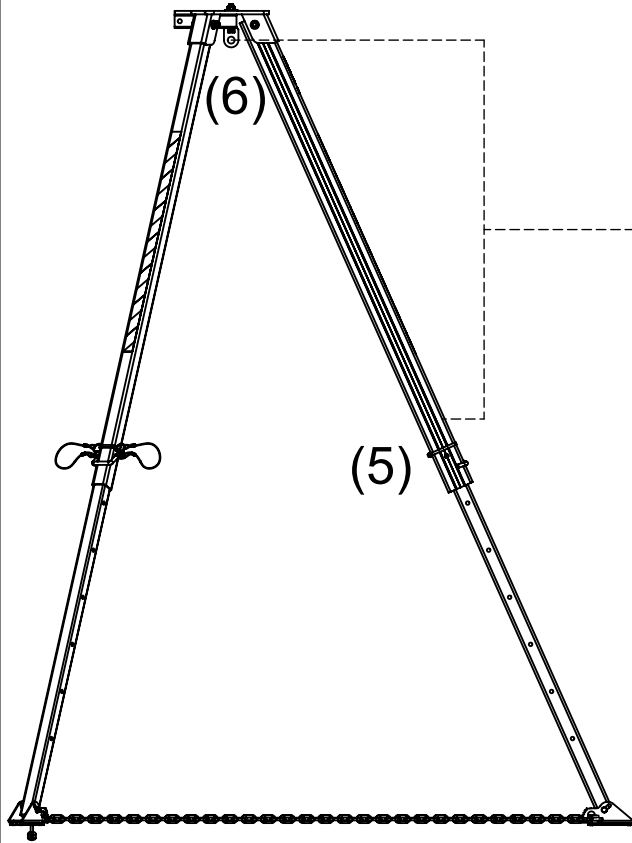
The TM 12 main tripod can be used with CRW 300 rescue lifting device / retractable type fall arrester. CRW 300 should be installed on the main tripod reinforced leg. CRW 300 with fixing adapter AT 172 should be fastened on the locking hole situated on the outer wall of the reinforced leg. Rope pulley #1 should be attached to the Main Tripod Lateral Attachment Point using connector. Rope pulley #2 should be attached to the Trolley "A" with connector. Working rope should pass through the pulley #1 and #2 wheels. Position of the Trolley "A" should be secured with Trolley "A" detent pin installed in one of 4 Trolley "A" locking holes and back of the Trolley "A" should be support by T-lock. For proper and safe installation and use of the RUP 502-A / RUP 503 please refer their instruction manuals.



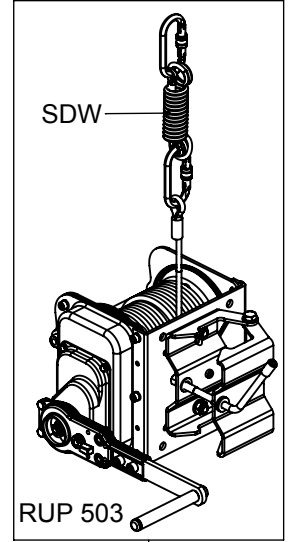
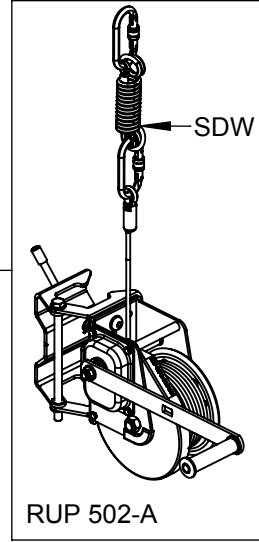
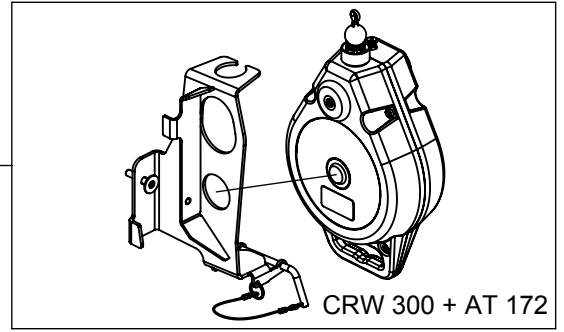
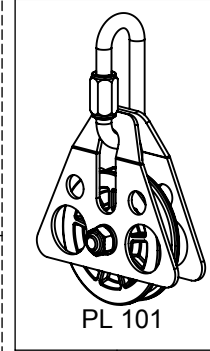
USAGE MAIN TRIPOD FOR RESCUE PURPOSES

Main tripod can be used in conjunction with rescue lifting devices (RUP 502-A or RUP 503 or CRW 300).

Energy absorber SDW MUST BE ALWAYS USED in conjunction with RUP series rescue lifting devices.



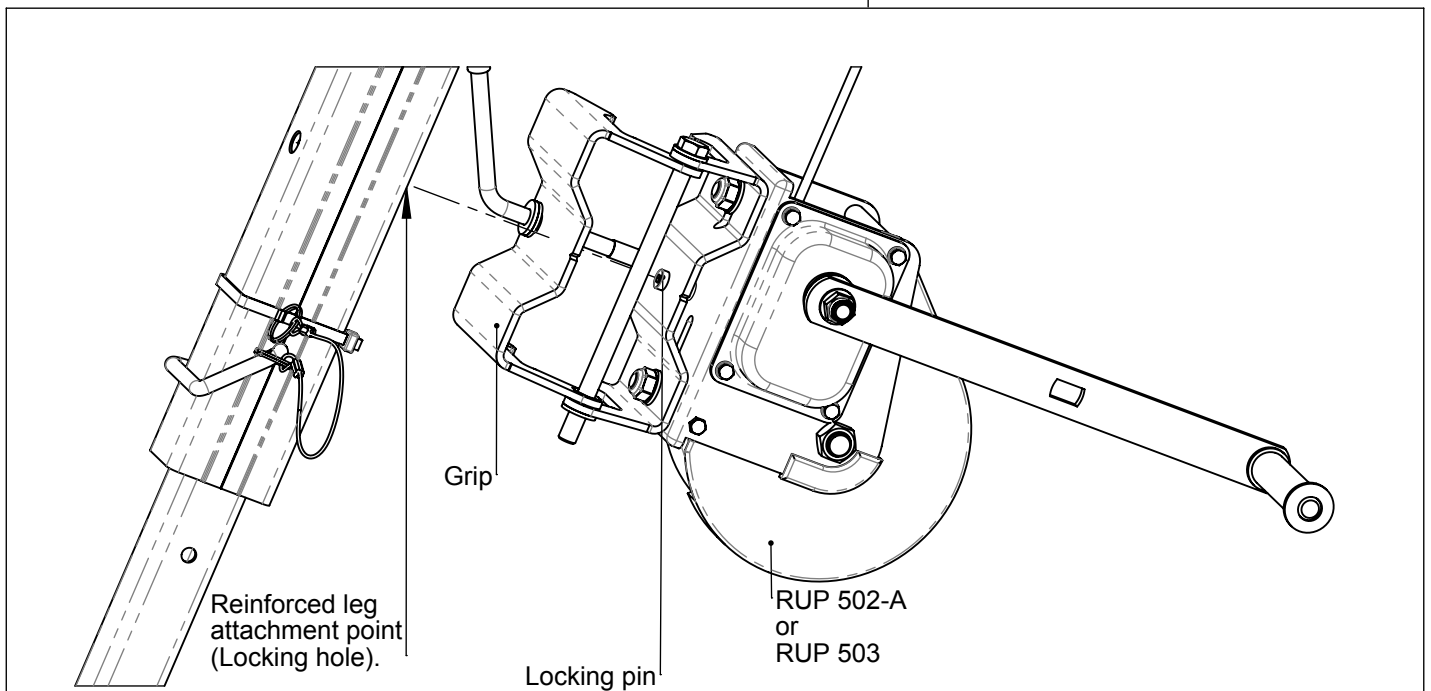
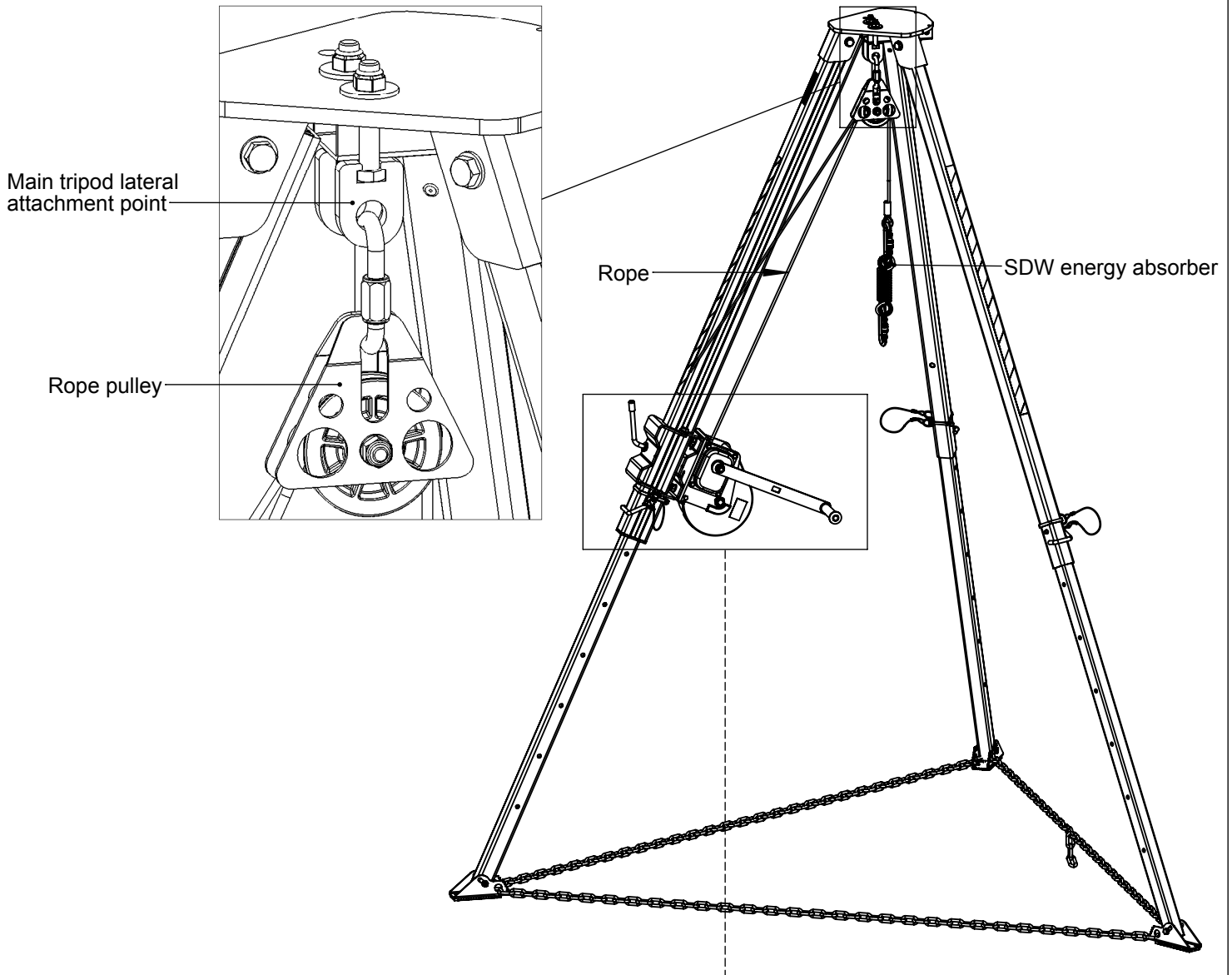
RESCUE EN 1496/B



Set	main tripod + PL 101 + RUP 502-A	main tripod + PL 101 + RUP 503	main tripod + PL 101 + AT172 + CRW 300
Standard	EN 1496/B	EN 1496/B	EN 1496/B
Attachment point(s) in use	(5) (6)	(5) (6)	(5) (6)
Max. number of users at the same time	1	2	1
Working Load Limit	140 kg	200 kg	140 kg

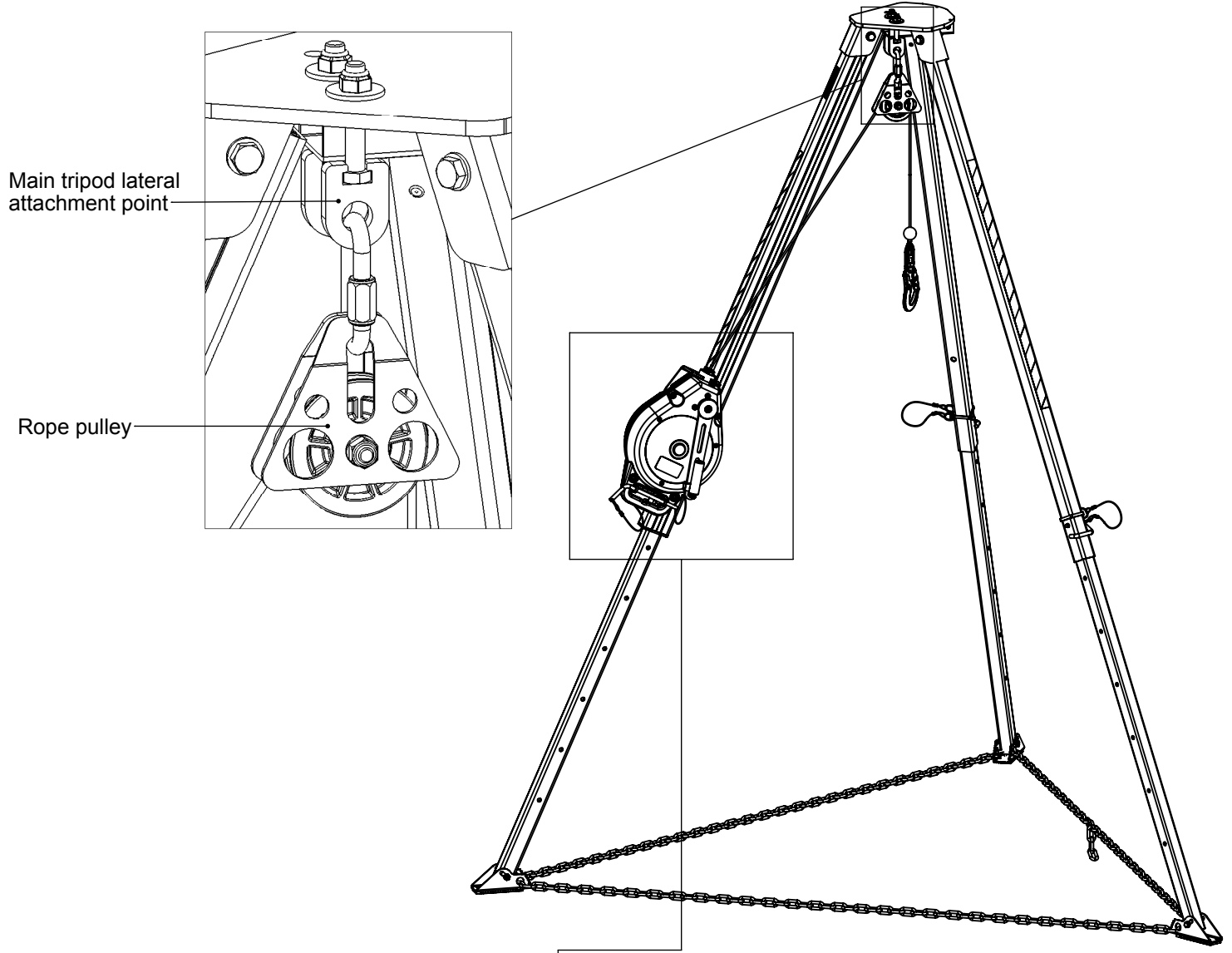
INSTALLING RUP 502-A / RUP 503 RESCUE LIFTING DEVICES TO THE TM 12 MAIN TRIPOD

The TM 12 main tripod can be used separately with RUP 502-A / RUP 503 rescue lifting devices. RUP 502-A / RUP 503 should be installed on the main tripod reinforced leg. The grip of the rescue lifting device should be fastened on the locking hole situated on the internal wall of the reinforced leg. Rope pulley should be attached to the Main Tripod Lateral Attachment Point with connector. Working rope should pass through the pulley wheel. For proper and safe installation and use of the RUP 502-A, RUP 503 please refer their instruction manuals.



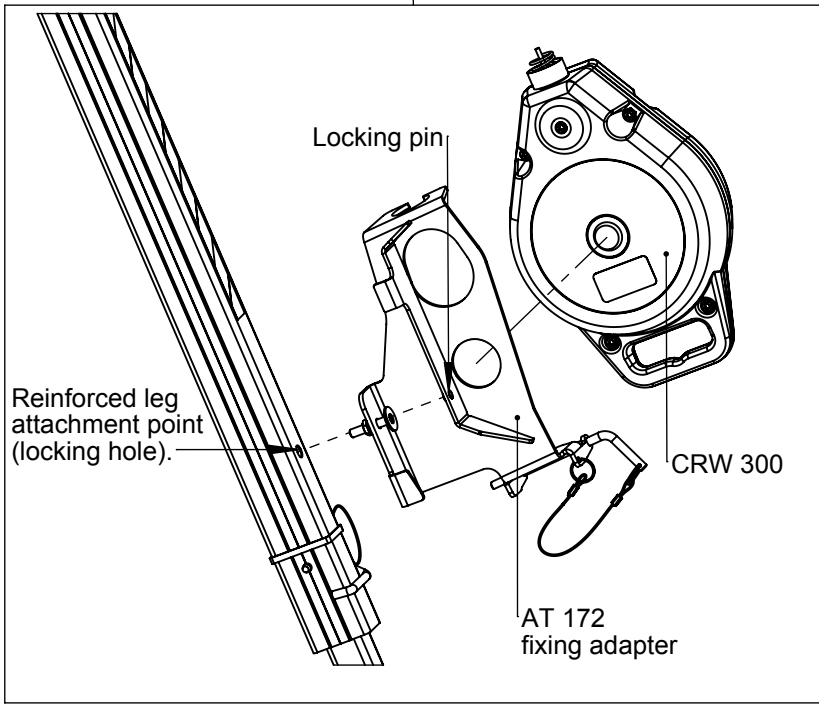
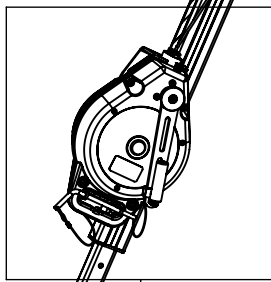
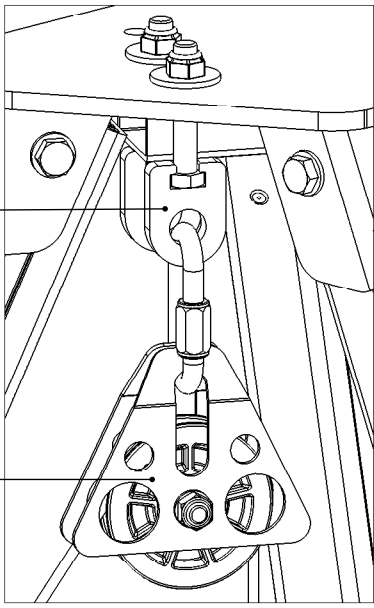
INSTALLING CRW 300 RESCUE LIFTING DEVICE TO THE TM 12 MAIN TRIPOD

The TM 12 main tripod can be used with CRW 300 rescue lifting device / retractable type fall arrester. CRW 300 should be installed on the main tripod reinforced leg. CRW 300 with fixing adapter AT 172 should be fastened on the locking hole situated on the outer wall of the reinforced leg. Rope pulley should be attached to the main tripod lateral attachment point with connector. Working rope should pass through the pulley wheel. For proper and safe installation and use of the CRW 300 please refer the instruction manual.



Main tripod lateral attachment point

Rope pulley



Locking pin

Reinforced leg attachment point (locking hole).

CRW 300

AT 172 fixing adapter

SECTION 6 - DEVICE USE SCENARIOS

1. ONE PERSON (NO LIFTING LOADS) - EN 795/B
 - Person attached to the one of anchorage points: (1) or (2) or (3).
 - ! Please refer to "Rules for personal protection" (section 3, page 9).
2. TWO PEOPLE (NO LIFTING LOADS) - TS 16415/B
 - First person attached to the one of the anchorage points: (1) or (2) or (3).
 - Second person attached to the one of the remaining anchorage points: (1) or (2) or (3).
 - ! Please refer to "Rules for personal protection" (section 3, page 9).
3. TWO PEOPLE (NO LIFTING LOADS) - RESCUE USING RUP series rescue lifting devices - EN 1496/B
 - First person attached to the one of the anchorage points: (1) or (2) or (3).
 - Second person attached to the end of the SDW energy absorber connected with end of the rope of RUP 502-A / RUP 503 rescue lifting devices using attachment points: (4) and (5) and (6).
 - ! Please refer to "Rules for personal protection" (section 3, page 9).
 - ! Please refer to "Rules for rescue" (section 5, page 16).
4. TWO PEOPLE (NO LIFTING LOADS) - RESCUE USING CRW 300 rescue lifting device - EN 1496/B
 - First person attached to the one of the anchorage points: (1) or (2) or (3).
 - Second person attached to the end of the connector connected to the end of the rope of CRW 300 lifting device using attachment points: (4) and (5) and (6).
 - ! Please refer to "Rules for personal protection" (section 3, page 9).
 - ! Please refer to "Rules for rescue" (section 5, page 16).
5. ONE PERSON AND LIFTING LOADS UP TO 500 kg
 - Person attached to the one of the anchorage points: (1) or (2) or (3) AND load (up to 500 kg) connected to the end of the rope of RUP 502-AT / RUP 503-T brake winches using attachment points: (4) and (5) and (6).
 - Person attached to the one of the anchorage points: (1) or (2) or (3) AND load (up to 500 kg) connected to the attachment points: (4) and/or (6) using chain hoist or other lifting equipment.
 - ! Please refer to "Rules for personal protection" (section 3, page 9).
 - Total load connected to the attachment points cannot exceed 500 kg.
 - ! Please refer to "Rules for lifting loads" (section 4, page 11).
6. ONLY LIFTING LOADS UP TO 1000 kg
 - Load connected to the end of the rope of RUP 502-AT / RUP 503-T brake winches using attachment points: (4) and (5) and (6).
 - Load connected to the attachment points: (4) and/or (6) using chain hoist or other lifting equipment.
 - Total load connected to the attachment points cannot exceed 1000kg.
 - ! Please refer to "Rules for lifting loads" (section 4, page 11).

NOTES

.....

.....

.....

.....

IDENTITY CARD

IT IS RESPONSIBILITY OF THE USER ORGANISATION TO PROVIDE THE IDENTITY CARD AND TO FILL IN THE DETAILS REQUIRED. THE IDENTITY CARD SHOULD BE FILLED IN ONLY BY COMPETENT PERSON RESPONSIBLE FOR PROTECTIVE EQUIPMENT. THE IDENTITY CARD SHOULD BE FILLED IN BEFORE THE FIRST USE OF THE EQUIPMENT. ANY INFORMATION ABOUT THE EQUIPMENT LIKE: PERIODIC INSPECTIONS, REPAIRS, REASONS OF EQUIPMENT'S WITHDRAWN FROM USE SHALL BE NOTED. THE IDENTITY CARD SHOULD BE STORED DURING A WHOLE PERIOD OF EQUIPMENT UTILIZATION. DO NOT USE THE EQUIPMENT WITHOUT THE IDENTITY CARD.

MODEL AND TYPE OF EQUIPMENT	
REF. NUMBER	
SERIAL NUMBER	
DATE OF MANUFACTURE	
DATE OF PURCHASE	
DATE OF FIRST USE	
USER NAME	

PERIODIC EXAMINATION AND REPAIR HISTORY

	DATE	REASON FOR SERVICING / REPAIR	REPAIRS CARRIED OUT	NAME AND SIGNATURE OF COMPETENT PERSON	DATE OF NEXT EXAMINATION
1					
2					
3					
4					
5					
6					
7					
8					
9					