



SECTION 1 - GENERAL DATA

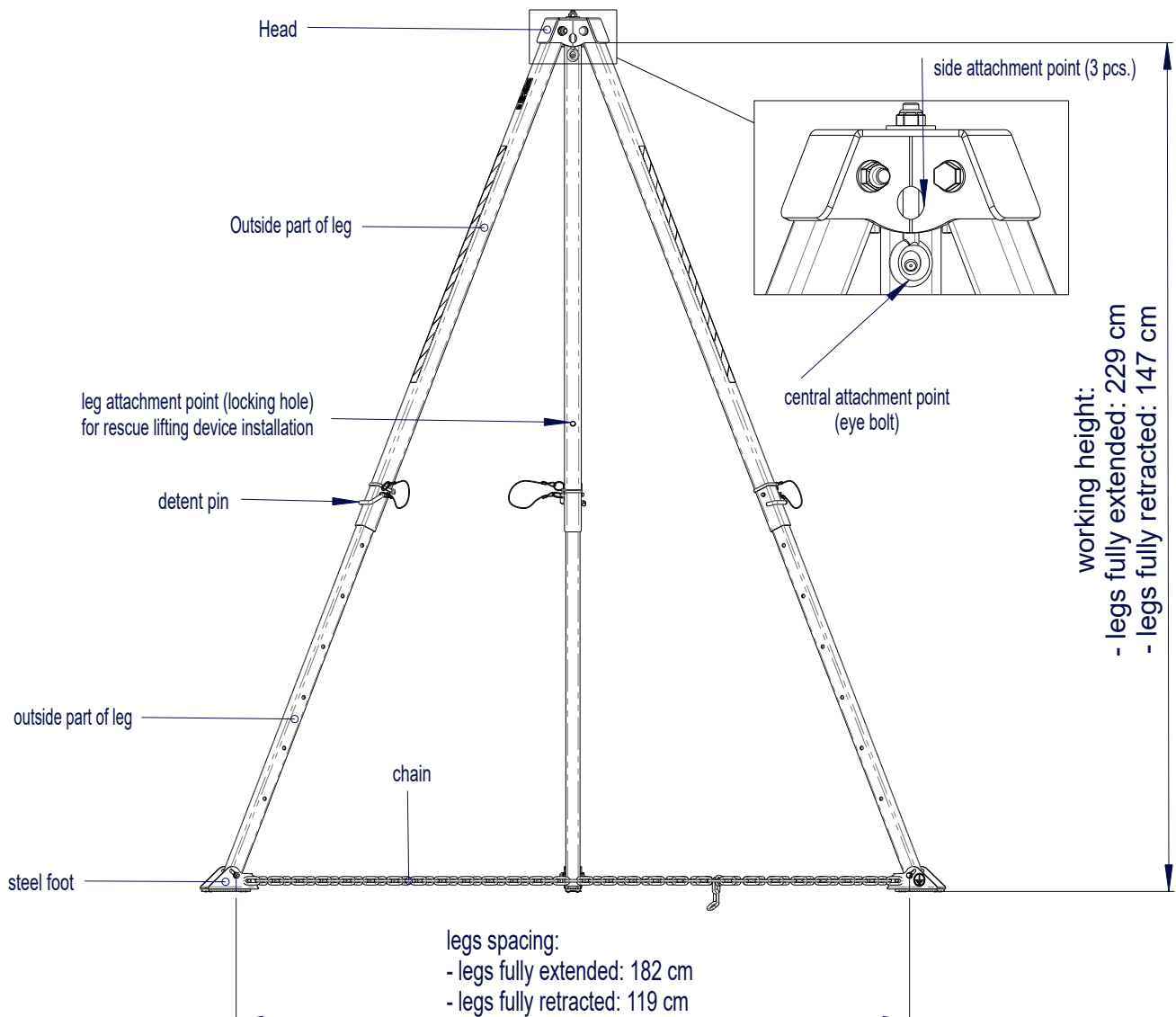
Aluminium tripod TM 9 is a component of personal protective equipment against fall from height. Tripod has to be used in conjunction with fall arrest equipment. Tripod TM 9 is designed to use with RUP 502 and CRW 300 rescue lifting devices. Tripod TM 9 provides protection for max. one person in any case.

TECHNICAL DATA

- approved for use in potentially explosive areas (according to PN-EN 05201, PN-EN 05204)
- working height
 - legs fully extended: 229 cm
 - legs fully retracted: 147 cm
- legs spacing
 - legs fully extended: 182 cm
 - legs fully retracted: 119 cm
- weight: 16,5 kg
- shipping dimensions: 180x24x24 cm

BASIC EQUIPMENT

- head - made of zinc-plated painted steel
- attachment points - one central attachment point (eye bolt), 3 side attachment points (holes), located in the head's walls.
- legs - made of reinforced aluminium with rounded edges. The telescopic construction allows the user to adjust their length. To adjust the leg's length locking pin are used. The legs of the tripod are equipped with self-aligning steel feet with rubber pads. The feet have anti-slip "teeth" used when positioning the tripod on a slippery (e.g. icy) surface.
- chain - leg chain is supplied to minimize horizontal forces and prevent the legs spreading and collapsing. The chain can be replaced by a special webbing sold only with the tripod.

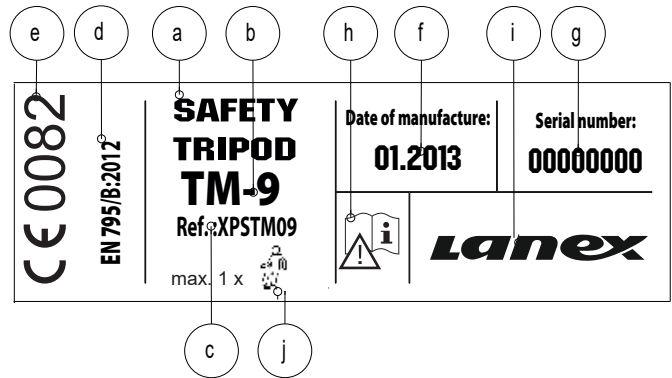


CERTIFICATION AND COMPLIANCE WITH STANDARDS

- a) EN 795:2012 type B Equipment used as a transportable temporary anchor point for one person. EC certificate.
 b) EN 1496:2006 type B Equipment used with RUP 502 / CRW 300 as an rescue kit for one person. Compliance with standard and document EN1496/B:2006. Not covered by the EC certificate.

CONTENT OF THE IDENTITY LABEL

- a) Device type.
 b) Model symbol.
 c) Reference number.
 d) Number/year/class of the European standard.
 e) CE marking and number of a notified body controlling manufacturing of the equipment.
 f) Month and year of manufacture.
 g) Serial number of the tripod.
 h) Caution: read the manual.
 i) Marking of the manufacturer or distributor of the tripod.
 j) Maximum number of users permitted simultaneously.



The Notified Body involved with EC type examination and in the production control phase: APAVE SUDEUROPE SAS, CS 60193, 13322 Marseille, France.



Month and year of the manufacturer's next inspection.

Don't use the device after this date.

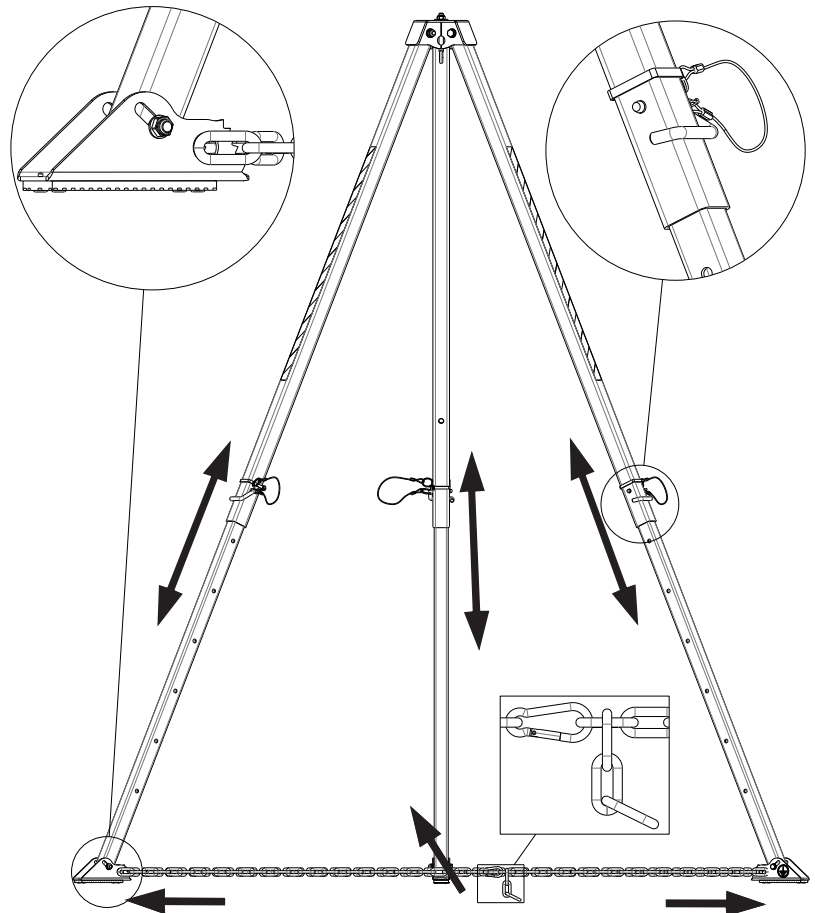
Attention: Before the first use mark the date of inspection (date of first use + 12 months, e.g. first use 01.2013 - mark inspection 01.2014).

"Next inspection label" placed near Identity Label.

SECTION 2 - DEVICE INSTALLATION

INSTALLING A TRIPOD

- Place the tripod on a flat, stable and hard surface. Pull out the tripod legs to the desired length and lock with the locking pin.
- Set the tripod in an upright position and fully spread the legs.
- Make sure the feet are on firm ground and can support the load.
- Adjust the length of the legs so that the head is located in the horizontal plane.
- The tripod should be positioned over opening so working line will be located approximately in the center of the opening.
- Make sure that locking pins are properly secured the end of the locking pin must protrude above the surface of the tripod legs.
- Secure the tripod legs with the chain against the accidental sliding open. The ends of the chain must be fastened with a snap hook. The chain should be tight between the legs of the tripod. Remove excess slack of the chain.



MAXIMUM LOAD TRANSMITTED FROM THE TM 9 TO THE STRUCTURE / LOADING DIRECTION

Surface, where the TM 9 safety tripod was placed on must support the max. device load of 12 kN.

Loading direction: perpendicular to the surface on which the TM 9 safety tripod is placed.

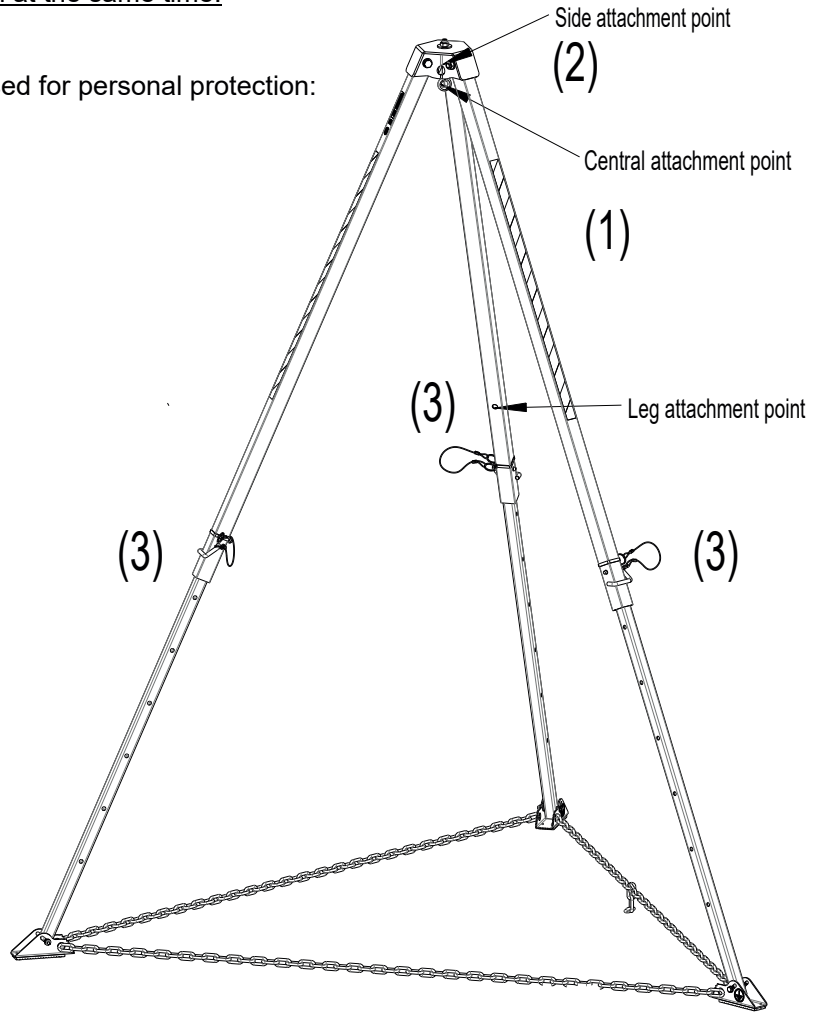
SECTION 3 - PERSONAL PROTECTION ACCORDING TO EN 795/B

TM 9 safety tripod can be used as a temporary anchorage according to EN 795/B.

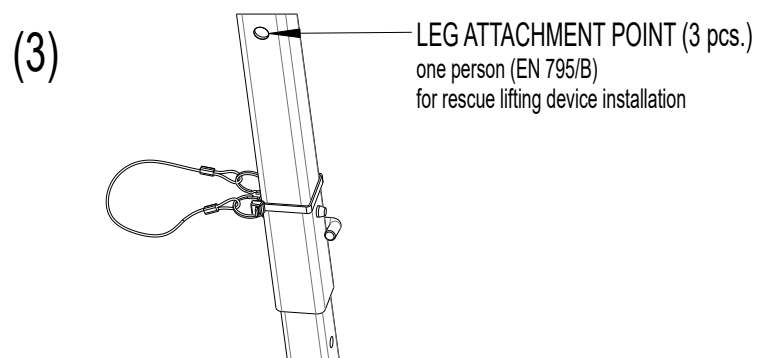
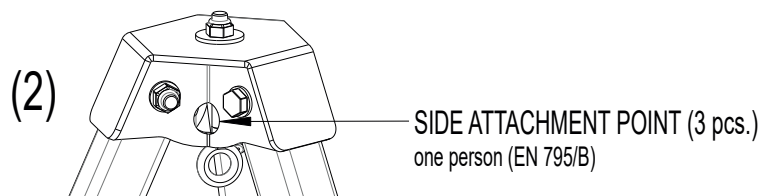
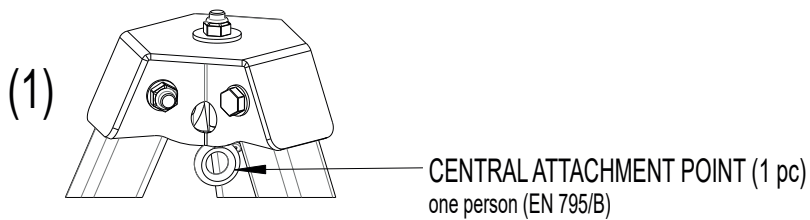
TM 9 provides protection for maximum one person at the same time.

TM 9 is equipped with seven attachment points used for personal protection:

- (1) central attachment point (1 pc)
- (2) side attachment point (3 pcs.)
- (3) leg attachment point (3 pcs.)



ATTACHMENT POINTS FOR PERSONAL PROTECTION



GENERAL PRECAUTIONS

- While working PAY ATTENTION to the chain which fastens the tripod legs, as it can cause accidental tripping of the worker.
- TM 9 MUST NEVER BE USED without chain. Legs MUST ALWAYS BE fastened with chain.
- AVOID working where the user may swing and hit an object or where lines may cross or tangle with that of another worker in the area.
- Fall arrest and rescue systems used with this device MUST MEET applicable EN standards requirements (EN 795 for anchor devices; EN 362 for connectors; EN 361 for full body harnesses; EN 360 for retractable type fall arresters; EN 1496 for rescue lifting devices; EN 1497 for rescue harnesses; EN 341 for descender devices).
- The Maximum Arrest Force (MAF) to which a user of a Fall Arrest System (FAS), who wears a full body harness, is exposed during an arrest of his/her fall is limited by law 6 kN in EU. The system used to protect user against fall from height must include fall protection equipment reducing the Maximum Arrest Force, acting on the user while arresting the fall, to maximum value of 6kN (e.g. fall safety energy absorber with lanyard or retractable fall arrester).
- Make sure that device is installed in a upright position on a flat, stable and hard surface. The surface must support the load.
- Tripod TM 9 provides protection for max. one person in any case.
- The anchor device or anchor point for the fall arrest system should always be positioned, and the work carried out in such a way, as to minimize both the potential for falls and potential fall distance. The anchor device/point should be placed above the position of the user. The shape and construction of the anchor device/point shall not allowed to self-acting disconnection of the equipment. Minimal static strength of the anchor device/point is 12 kN. It is recommended to use certified and marked structural anchor point complied with EN 795.

THE ESSENTIAL PRINCIPLES OF USE OF PERSONAL PROTECTIVE EQUIPMENT

- Personal Protective Equipment (PPE) shall only be used by a person trained and competent in its safe use.
- PPE must not be used by a person with medical condition that could affect the safety of the equipment user in normal and emergency use.
- A rescue plan shall be in place to deal with any emergencies that could arise during the work.
- It is forbidden to make any alterations or additions to the equipment without the manufacturer's prior written consent.
- Any repair shall only be carried out by equipment manufacturer or his certified representative.
- PPE shall not be used outside its limitations, or for any purpose other than that for which it is intended.
- PPE should be a personal issue item.
- Before use ensure about the compatibility of items equipment assembled into fall arrest system. Periodically check connecting and adjusting of the equipment components to avoid accidental loosening or disconnecting of the components.
- It is forbidden to use combinations of items of equipment in which the safe function of any one item is affected by or interferes with the safe function of another.
- It is essential for the safety of the user that if the product is re-sold outside the original country of destination the reseller shall provide instruction for use, for maintenance, for periodic examination and for repair in language of the country in which the product is to be sold.
- A full body harness (conforming EN 361) is the only acceptable body holding device that can be used in a fall arrest system.
- On full body harness use only attaching points marked with big letter "A" to attach a fall arrest system.
- It is obligatory to verify the free space required beneath the user at the workplace before each occasion of use the fall arrest system, so that, in the case of a fall, there will be no collision with the ground or other obstacle in the fall path. The required value of the free space should be taken from instruction manual of used equipment.
- There are many hazards that may affect the performance of the equipment and corresponding safety precautions that have to be observed during equipment utilization, especially:
 - trailing or looping of lanyards or lifelines over sharp edges,
 - any defects like cutting, abrasion, corrosion,
 - climatic exposure,
 - pendulum falls,
 - extremes of temperature,
 - chemical reagents,
 - electrical conductivity.

INSPECTION

Before each use of personal protective equipment it is obligatory to carry out a pre-use check of the equipment, to ensure that it is in a serviceable condition and operates correctly before it is used.

During pre-use check it is necessary to inspect all elements of the equipment in respect of any damages, excessive wear, corrosion, abrasion, cutting or incorrect acting, especially take into consideration:

- in full body harnesses and belts - buckles, adjusting elements, attaching points, webbings, seams, loops;
- in energy absorbers - attaching loops, webbing, seams, casing, connectors;
- in textile lanyards or lifelines or guidelines - rope, loops, thimbles, connectors, adjusting elements, splices;
- in steel lanyards or lifelines or guidelines - cable, wires, clips, ferrules, loops, thimbles, connectors, adjusting elements;
- in retractable fall arresters - cable or webbing, retractor and brake proper acting, casing, energy absorber, connector;
- in guided type fall arresters - body of the fall arrester, sliding function, locking gear acting, rivets and screws, connector, energy absorber;
- in connectors - main body, rivets, gate, locking gear acting;
- in tripods - legs, safety pins, eye bolts, feet, chain, connecting elements.

PERIODIC INSPECTION

After every 12 months of utilization, personal protective equipment must be withdrawn from use to carry out periodical detailed inspection. The periodic inspection must be carried out by a competent person for periodic inspection. The periodic inspection can be carried out also by the manufacturer or his authorized representative. In case of some types of the complex equipment e.g. some types of retractable fall arresters the annual inspection can be carried out only by the manufacturer or his authorized representative.

During this inspection will be established admissible time of the device use till next manufacturer's inspection. The result of the inspection must be recorded in Identity Card.

Regular periodic inspections are the essential for equipment maintenance and the safety of the users which depends upon the continued efficiency and durability of the equipment.

During periodic inspection it is necessary to check the legibility of the equipment marking.

ADMISSIBLE TIME OF USE

The tripod can be used for 5 years counting from a date of putting the tripod into operation. After this period the tripod must be withdrawn from use to carry out manufacturer's detailed inspection.

The manufacturer's inspection can be carried out by:

- manufacturer
- person recommended by manufacturer
- company recommended by manufacturer.

During this inspection will be established admissible time of tripod use till next manufacturer's inspection and recorded in Identity Card.

WITHDRAWAL FROM USE

Personal protective equipment must be withdrawn from use immediately when any doubt arise about its condition for safe use and not used again until confirmed in writing by equipment manufacturer or his representative after carried out the detailed inspection.

WITHDRAWN FROM USE AFTER ARRESTING A FALL

Device must be withdrawn from use immediately when it have been used to arrest a fall. After that must be carried out detailed

manufacturer's inspection of the tripod.

The manufacturer's inspection can be carried out by:

- manufacturer
- person recommended by manufacturer
- company recommended by manufacturer.

During this inspection will be established if the tripod can be longer used and will be define the admissible time of tripod use till next manufacturer's inspection and recorded in Identity Card.

TRANSPORTATION

Personal protective equipment must be transported in the package (e.g.: bag made of moisture-proof textile or foil bag or cases made of steel or plastic) to protect in against damage or moisture.

MAINTENANCE AND STORAGE

The equipment can be cleaned without causing adverse effect on the materials in the manufacture of the equipment.

For textile

products use mild detergents for delicate fabrics, wash by hand or in a machine and rinse in water. Plastic parts can be cleaned

only with water. When the equipment becomes wet, either from being in use or when due cleaning, it shall be allowed to dry

naturally, and shall be kept away from direct heat. In metallic products some mechanic parts (spring, pin, hinge, tec.) can be

regularly slightly lubricated to ensure better operation. Other maintenance and cleaning procedures should be adhered to

detailed instructions stated in the manual of the equipment.

Personal protective equipment should be stored loosely packed, in a well-ventilated place, protected from direct light, ultraviolet

degradation, damp environment, sharp edges, extreme temperatures and corrosive or aggressive substances.

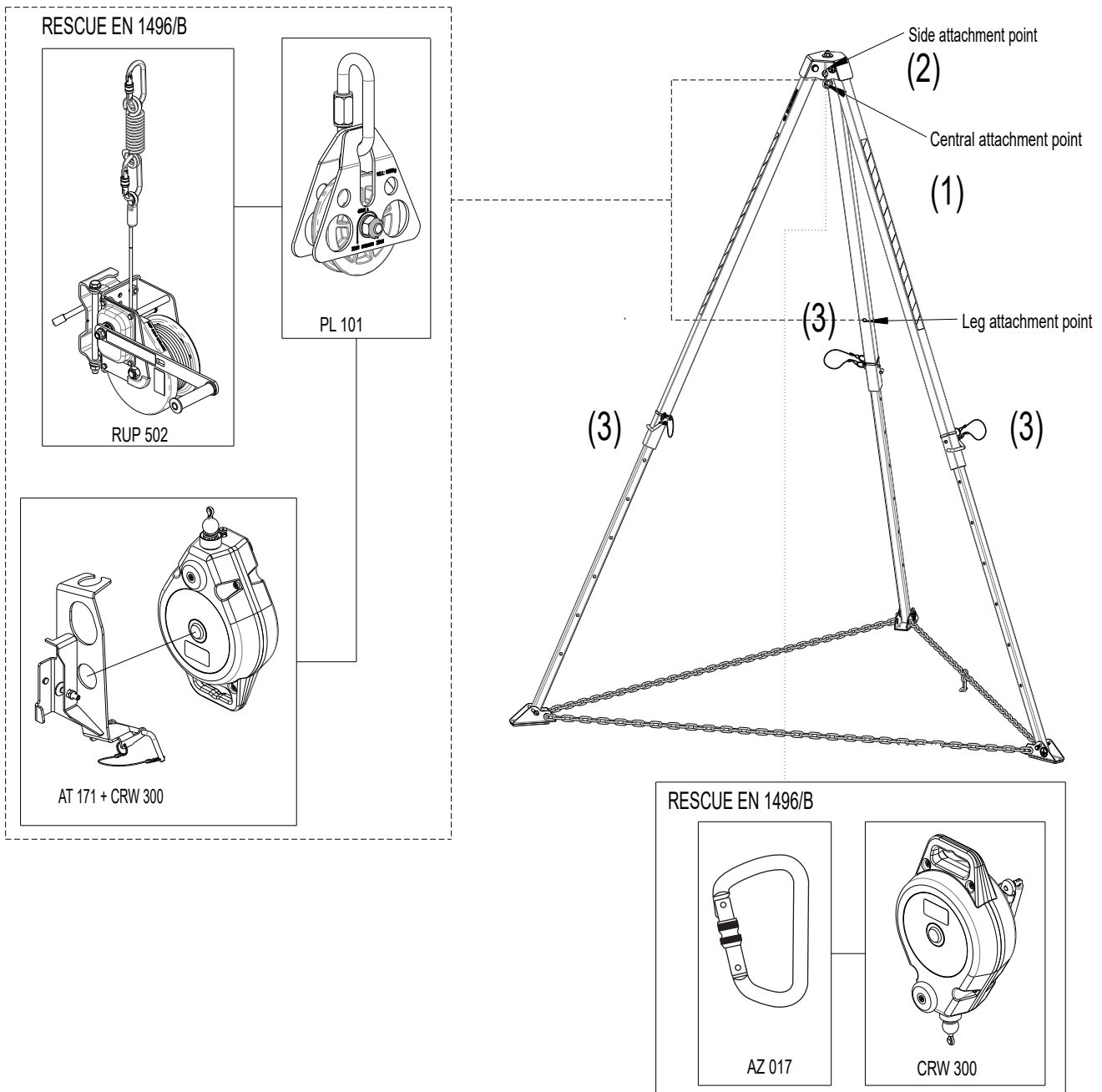
SECTION 4 - RESCUE ACCORDING TO EN 1496/B

GENERAL PRECAUTIONS FOR RESCUE:

- Secondary fall arrest system (conforming EN 363) must be used when working with the TM 9 and RUP 502.
- Fall arrest and rescue systems used with this device MUST MEET applicable EN standards requirements (EN 795 for anchor devices; EN 362 for connectors; EN 361 for full body harnesses; EN 360 for retractable type fall arresters; EN 1496 for rescue lifting devices; EN 1497 for rescue harnesses; EN 341 for descender devices).
- For rescue purposes with RUP 502 rescue lifting device always use SDW energy absorber (component of RUP 502 set).
- During installing rescue lifting RUP 502 or CRW 300 (with AT 172 fixing adapter) locking pin MUST BE embedded in locking hole. Only then rescue lifting device can be safely and firmly installed on the tripod leg.

USAGE TM 9 SAFETY TRIPOD FOR RESCUE PURPOSES

TM 9 safety tripod can be used for rescue purposes in conjunction with RUP 502 / CRW 300 rescue lifting devices.

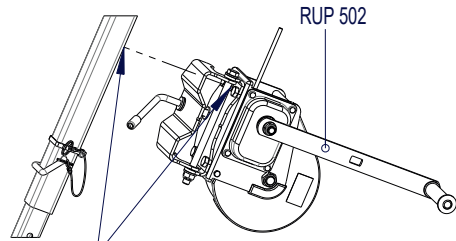


TM 9 + equipment	PL 101 + RUP 502	PL 101 + AT 171 + CRW 300	AZ 017 + CRW 300
Standard	EN 1496/B		
Attachment point(s) in use	(1) (3) or (2) (3)	(2) (3)	(2)
Max. number of users at the same time	1	1	1
Working Load Limit	140 kg	140 kg	140 kg

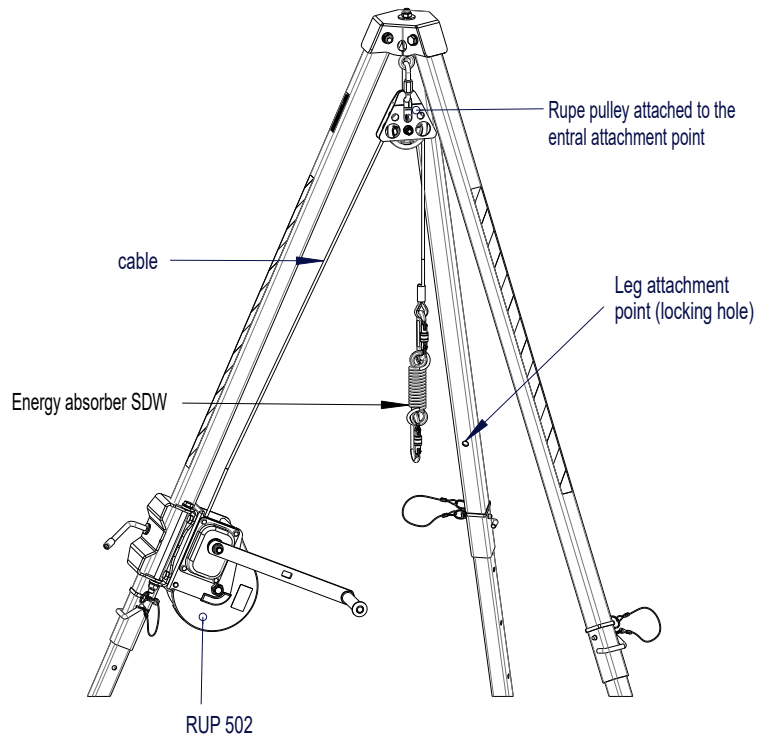
INSTALLING RUP 502 RESCUE LIFTING DEVICE

The tripod can be used with RUP 502 rescue lifting device. RUP 502 should

be installed on the tripod legs. The grip of the RUP 502 should be fastened on the locking hole situated on the inner wall of the outside part of leg. The cable should be guided through rope pulley attached to the central attachment point or one of side attachment points. For proper and safe installation and use of the RUP502 follow its manual.



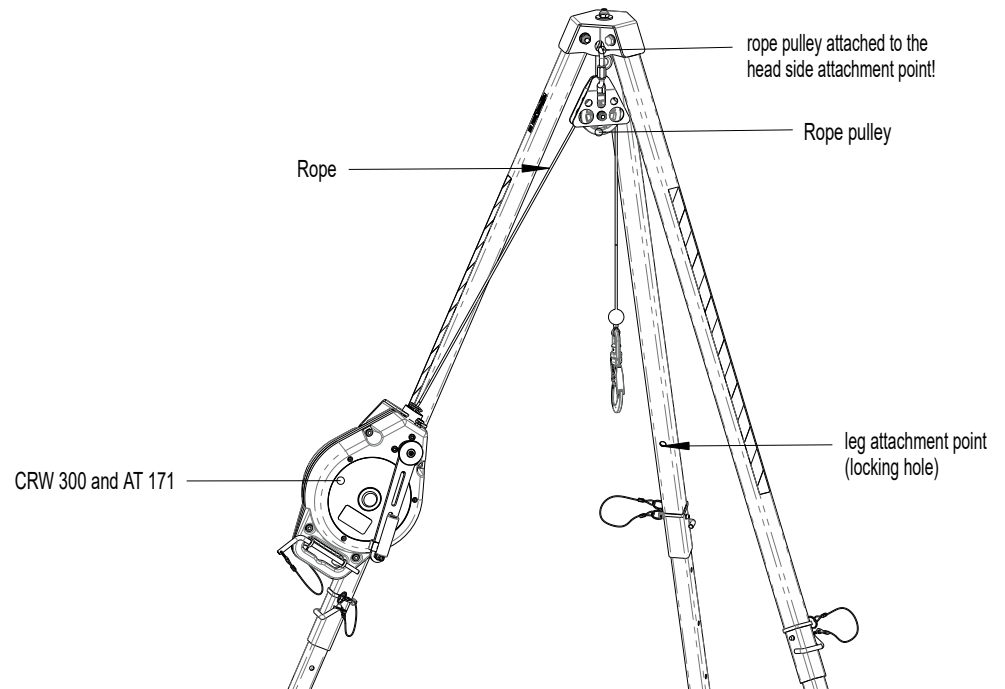
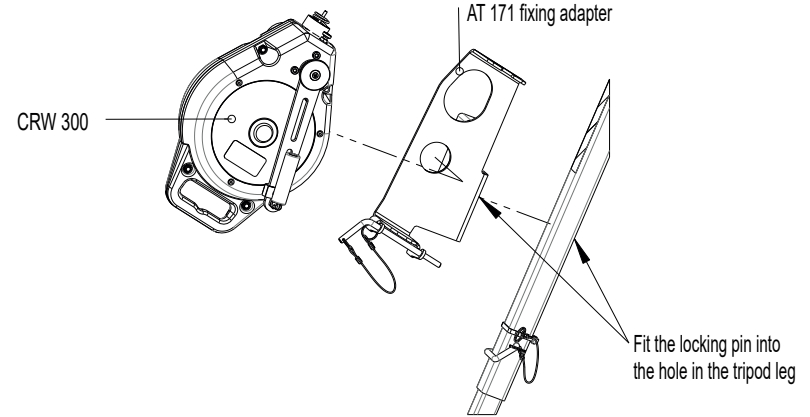
Fit the locking pin into the leg hole in the tripod leg



INSTALLING CRW 300 RESCUE LIFTING DEVICE

The tripod can be used with CRW 300 rescue lifting device. CRW 300 should be installed

on the tripod leg using AT 171 fixing adapter. The fixing adapter AT 171 of CRW 300 should be fastened on the locking hole situated on the inner wall of the outside part of leg. CRW 300 should be installed in the AT 171 adaptor. The cable should be guided through rope pulley attached to the side attachment point only. For proper and safe installation and use of the CRW 300 follow its manual.



IDENTITY CARD

IT IS RESPONSIBILITY OF THE USER ORGANISATION TO PROVIDE THE IDENTITY CARD AND TO FILL IN THE DETAILS REQUIRED. THE IDENTITY CARD SHOULD BE FILLED IN ONLY BY COMPETENT PERSON RESPONSIBLE FOR PROTECTIVE EQUIPMENT. THE IDENTITY CARD SHOULD BE FILLED IN BEFORE THE FIRST USE OF THE EQUIPMENT. ANY INFORMATION ABOUT THE EQUIPMENT LIKE: PERIODIC INSPECTIONS, REPAIRS, REASONS OF EQUIPMENT'S WITHDRAWN FROM USE SHALL BE NOTED. THE IDENTITY CARD SHOULD BE STORED DURING A WHOLE PERIOD OF EQUIPMENT UTILIZATION. DO NOT USE THE EQUIPMENT WITHOUT THE IDENTITY CARD.

MODEL AND TYPE OF EQUIPMENT	
REF. NUMBER	
SERIAL NUMBER	
DATE OF MANUFACTURE	
DATE OF PURCHASE	
DATE OF FIRST USE	
USER NAME	

PERIODIC EXAMINATION AND REPAIR HISTORY

	DATE	REASON FOR SERVICING / REPAIR	REPAIRS CARRIED OUT	NAME AND SIGNATURE OF COMPETENT PERSON	DATE OF NEXT EXAMINATION
1					
2					
3					
4					
5					
6					
7					
8					
9					